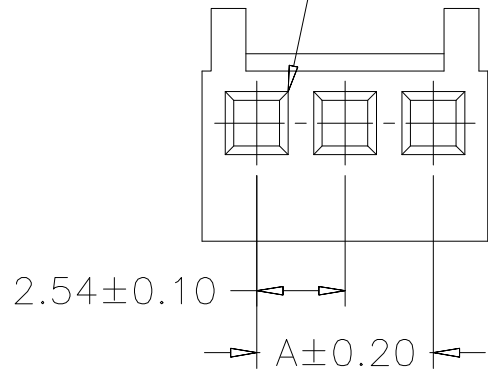
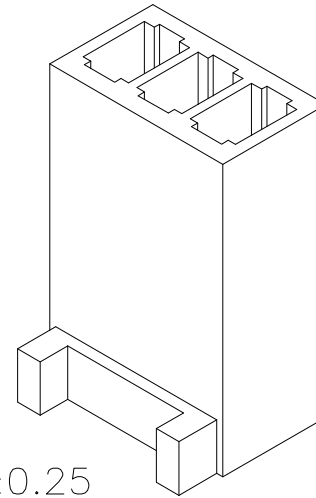
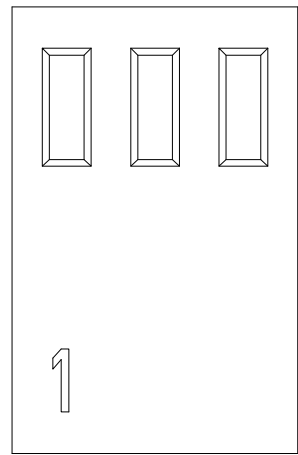


RoHS

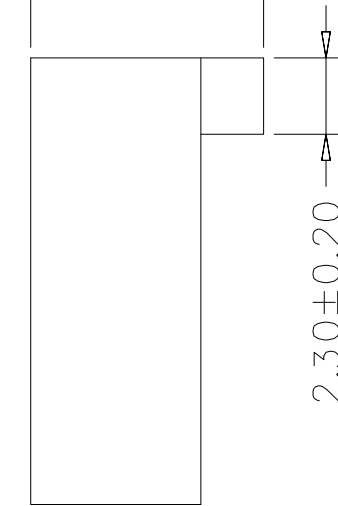
Circuit 1



$B \pm 0.25$



$6.70 \pm 0.25$



$4.90 \pm 0.25$

Specification:

- Current Rating: 4A AC/DC
- Voltage Rating: 250V AC/DC
- Insulation Resistance: 1000MΩ Min
- Withstanding Voltage: 1000VAC(1Min)
- Contact resistance: 20mΩ(Max).
- Operation Temperature: -25°C to +85°C

Material:

- Insulator (Housing): Nylon 66 (UL94V-2)
- Color: White

Ordering Information


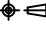
SCT2541HA - xx C WT 134

No.of Pins  
See Table

Insulation  
B=PA66 V2

Color  
WT=White

5	10.16	13.24
4	7.62	10.70
3	5.08	8.16
2	2.54	5.62
Poles	A	B
	Dimensions	

					OPERATION	DRAW	Peng	2021.07.06	SCALE	-	 <b>SCONDAR ELECTRONIC LIMITED</b>		
					X.X ±0.35	DESIGN			UNIT	mm			
A1	2021.07.06	Changed from SCT2541HA-xxP to SCT2541HA-xxCWT134			X.XX ±0.25		CHECK	Lisa	2021.07.06	SIZE		A4	
AO	2019.10.15	NEW			X.XXX ±0.15	APPROVE	Allen	2021.07.06	SHEET	1/1		PART NO.	SCT2541HA-xxCWT134
REV	DATE	MODIFICATION DESCRIPTION	CHANGE	APPROVE	Angle DIM	± 3' TOL	PROJ.		TITLE:	MX2.54 2.54mm Pitch Housing Connector			