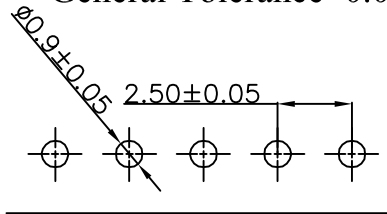


RoHS

**Recommended P.C.B Layout**  
General Tolerance±0.05



**Specification:**

- Current Rating: 3A AC/DC
- Voltage Rating: 250V AC/DC
- Insulation Resistance: 1000MΩ Min
- Withstanding Voltage: 1000VAC Min
- Contact resistance: 10mΩ(Max).
- Operation Temperature: -25°C to +85°C

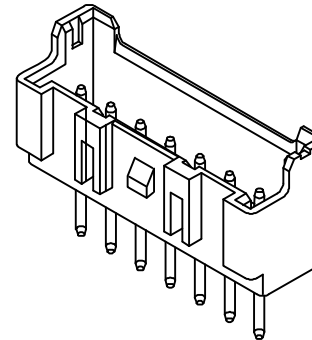
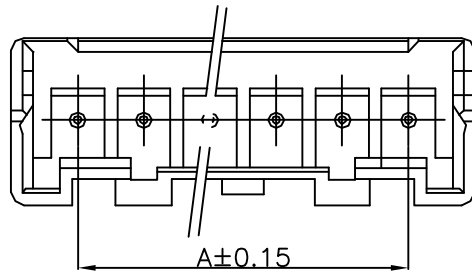
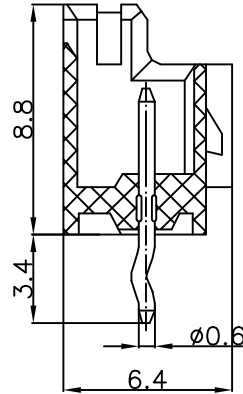
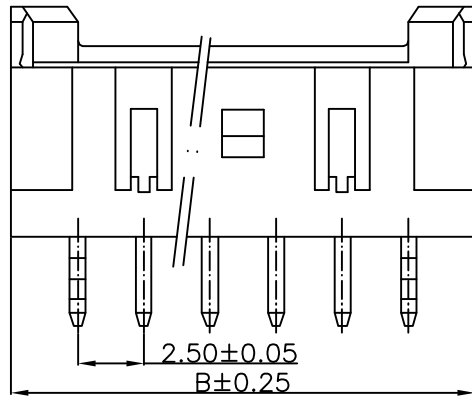
**Material:**

- Insulator (Housing): PA66 (UL94V-0)
- Contacts: Brass
- Solder: Tin Plated
- Color: White

**Ordering Information**

SCT2518WV - \*\* B 0 WT 107

No. of Pins See Table  
Insulation B=PA66  
Package 0=PE Bag  
Color BE=Beige



10	22.50	27.50	19	45.00	50.00
9	20.00	25.00	18	42.50	47.50
8	17.50	22.50	17	40.00	45.00
7	15.00	20.00	16	37.50	42.50
6	12.50	17.50	15	35.00	40.00
5	10.00	15.00	14	32.50	37.50
4	7.50	12.50	13	30.00	35.00
3	5.00	10.00	12	27.50	32.50
2	2.50	7.50	11	25.00	30.00
Poles	A	B	Poles	A	B
	Dimensions			Dimensions	

					OPERATION	DRAW	Peng	2021.03.15	SCALE	-	 SCONDAR ELECTRONIC LIMITED	
					X.X ±0.35	DESIGN			UNIT	mm		
					X.XX ±0.25		CHECK	Lisa	2021.03.15	SIZE		A4
AO	2021.03.15	NEW			Angle ± 3'	APPROVE	Allen	2021.03.15	SHEET	1/1		PART NO.
REV	DATE	MODIFICATION DESCRIPTION			DIM TOL				PROJ.	⊕	TITLE:	XAP2.50mm Pitch 180° Wafer Connector