

RoHS

Specification:

- Current Rating: 3A AC/DC
- Voltage Rating: 250V AC/DC
- Insulation Resistance: 500MΩ Min
- Withstanding Voltage: 1500VAC(1Min)
- Contact resistance: 20mΩ(Max).
- Operation Temperature: -25°C to +85°C

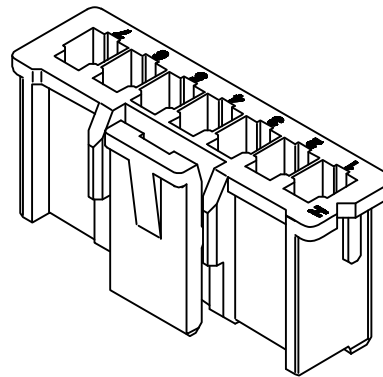
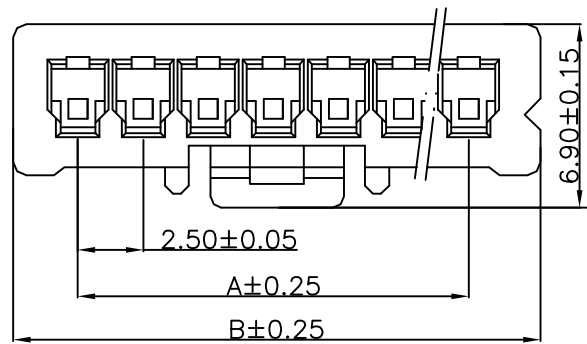
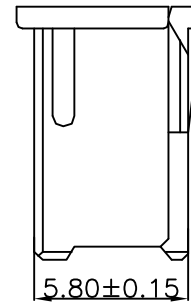
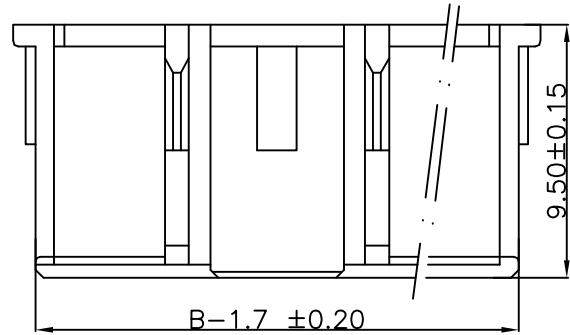
Material:

- Insulator (Housing): Nylon 66 (UL94V-0/2)
- Color: White


Ordering Information

SCT2518MH - ** B WT 107

No.of Pins See Table Insulation B=PA66 V0 Color WT=White



10	22.50	27.30	19	45.00	49.80
9	20.00	24.80	18	42.50	47.30
8	17.50	22.30	17	40.00	44.80
7	15.00	19.80	16	37.50	42.30
6	12.50	17.30	15	35.00	39.80
5	10.00	14.80	14	32.50	37.30
4	7.50	12.30	13	30.00	34.80
3	5.00	9.80	12	27.50	32.30
2	2.50	7.30	11	25.00	29.80
Poles	A	B	Poles	A	B
	Dimensions			Dimensions	

REV	DATE	MODIFICATION DESCRIPTION	CHANGE	APPROVE	OPERATION	DRAW	Peng	2021.03.15	SCALE	-	 SCONDAR ELECTRONIC LIMITED
					X.X	±0.35			UNIT	mm	
					X.XX	±0.25			SIZE	A4	
AO	2021.03.15	NEW			X.XXX	±0.15	Peng	2021.03.15	SHEET	1/1	
					Angle	± 3'			PROJ.	⌀	TITLE: XAP 2.50mm Pitch Female Housing Connector