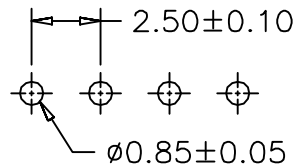


RoHS

受控

东莞市晟凯达电子科技有限公司  
工程专用章

Recommended P.C.B Layout  
General Tolerance±0.05



Specification:

- Current Rating: 3A AC/DC
- Voltage Rating: 250V AC/DC
- Insulation Resistance: 1000MΩ Min
- Withstanding Voltage: 1000VAC Min
- Contact resistance: 20mΩ(Max).
- Operation Temperature: -25°C to +85°C

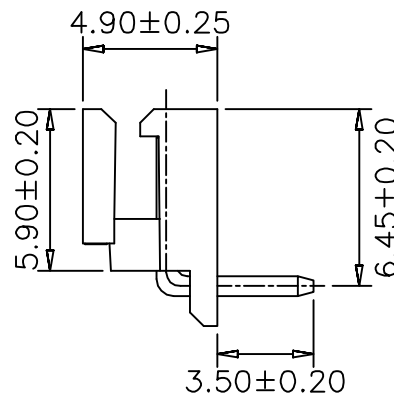
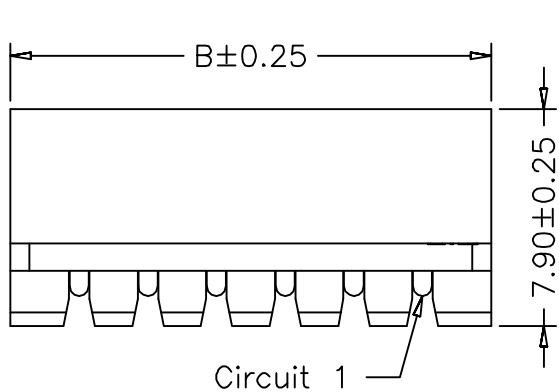
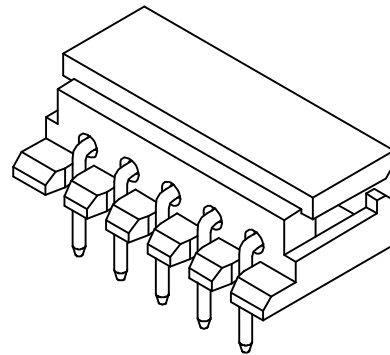
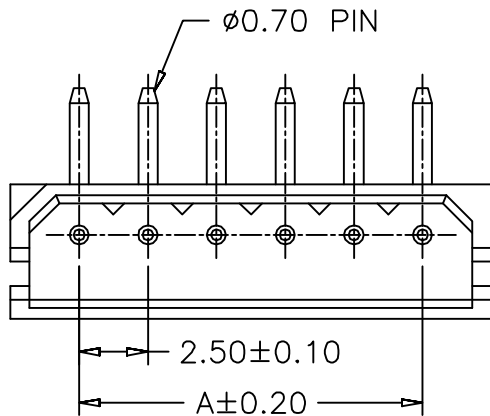
Material:

- Insulator (Housing): PA66 (UL94V-0)
- Contacts: Brass
- Solder: Tin Plated
- Color: Beige(7506C)

Ordering Information

SCT2513WR - \*\* B 0 BE 119

No. of Pins See Table    Insulation B=PA66    Package 0=PE Bag    Color BE=Beige



10	22.50	27.50			
9	20.00	25.00			
8	17.50	22.50			
7	15.00	20.00	16	37.50	42.50
6	12.50	17.50	15	35.00	40.00
5	10.00	15.00	14	32.50	37.50
4	7.50	12.50	13	30.00	35.00
3	5.00	10.00	12	27.50	32.50
2	2.50	7.50	11	25.00	30.00
Poles	A	B	Poles	A	B
	Dimensions			Dimensions	

REV	DATE	MODIFICATION DESCRIPTION	CHANGE	APPROVE	OPERATION	DRAW	Peng	2021.07.09	SCALE	-	 SCONDAR ELECTRONIC LIMITED	
A1	2021.07.09	Changed from SCT2513WR-xxP to SCT2513WR-xxBOBE119			X.X	±0.35			UNIT	mm		
AO	2006.05.02	NEW			X.XX	±0.25			SIZE	A4		
					X.XXX	±0.15		2021.07.09	SHEET	1/1		
					Angle	± 3'			PROJ.	☉	PART NO.	SCT2513WR-xxBOBE119
					DIM	TOL		2021.07.09			TITLE:	MX 2.50mm Pitch 90° Wafer Connector