

RoHS

**Recommended P.C.B Layout**  
General Tolerance±0.05

**Specification:**

- Current Rating: 3A AC/DC
- Voltage Rating: 250V AC/DC
- Insulation Resistance: 1000MΩ Min
- Withstanding Voltage: 800VAC Min
- Contact resistance: 20mΩ(Max).
- Operation Temperature: -25°C to +85°C

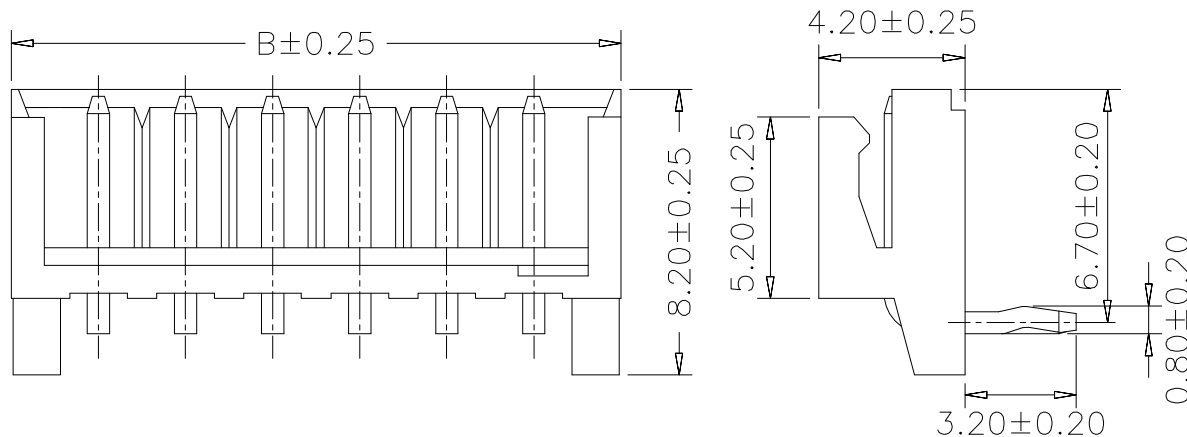
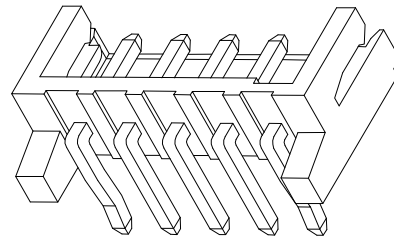
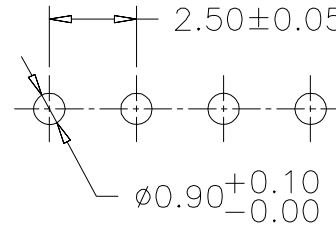
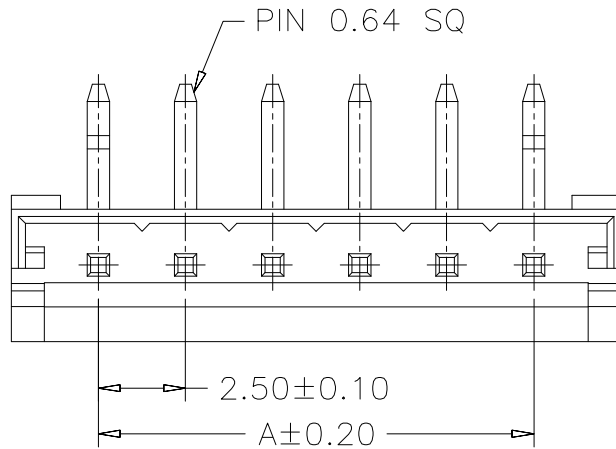
**Material:**

- Insulator (Housing): PA66 (UL94V-0)
- Contacts: Brass
- Solder: Tin Plated
- Color: White


**Ordering Information**

SCT2511WR - \*\* B 0 WT 106

No. of Pins See Table  
Insulation B=PA66  
Package 0=PE Bag  
Color WT=White



10	22.50	27.50			
9	20.00	25.00			
8	17.50	22.50			
7	15.00	20.00			
6	12.50	17.50	15	35.00	40.00
5	10.00	15.00	14	32.50	37.50
4	7.50	12.50	13	30.00	35.00
3	5.00	10.00	12	27.50	32.50
2	2.50	7.50	11	25.00	30.00
Poles	A	B	Poles	A	B
	Dimensions			Dimensions	

REV	DATE	MODIFICATION DESCRIPTION	CHANGE	APPROVE	OPERATION	DRAW	Peng	2021.07.07	SCALE	-	 <b>SCONDAR ELECTRONIC LIMITED</b>	
A1	2021.07.07	Changed from SCT2511WR-xxP to SCT2511WR-xxB0WT106			X.X	±0.35			UNIT	mm		
AO	2006.05.02	NEW			X.XX	±0.25			SIZE	A4		
					X.XXX	±0.15		2021.07.07	SHEET	1/1		
					Angle	± 3'			PROJ.	☉	PART NO.	SCT2511WR-xxB0WT106
					DIM	TOL		2021.07.07			TITLE:	EH 2.50mm Pitch 90° Wafer Connector