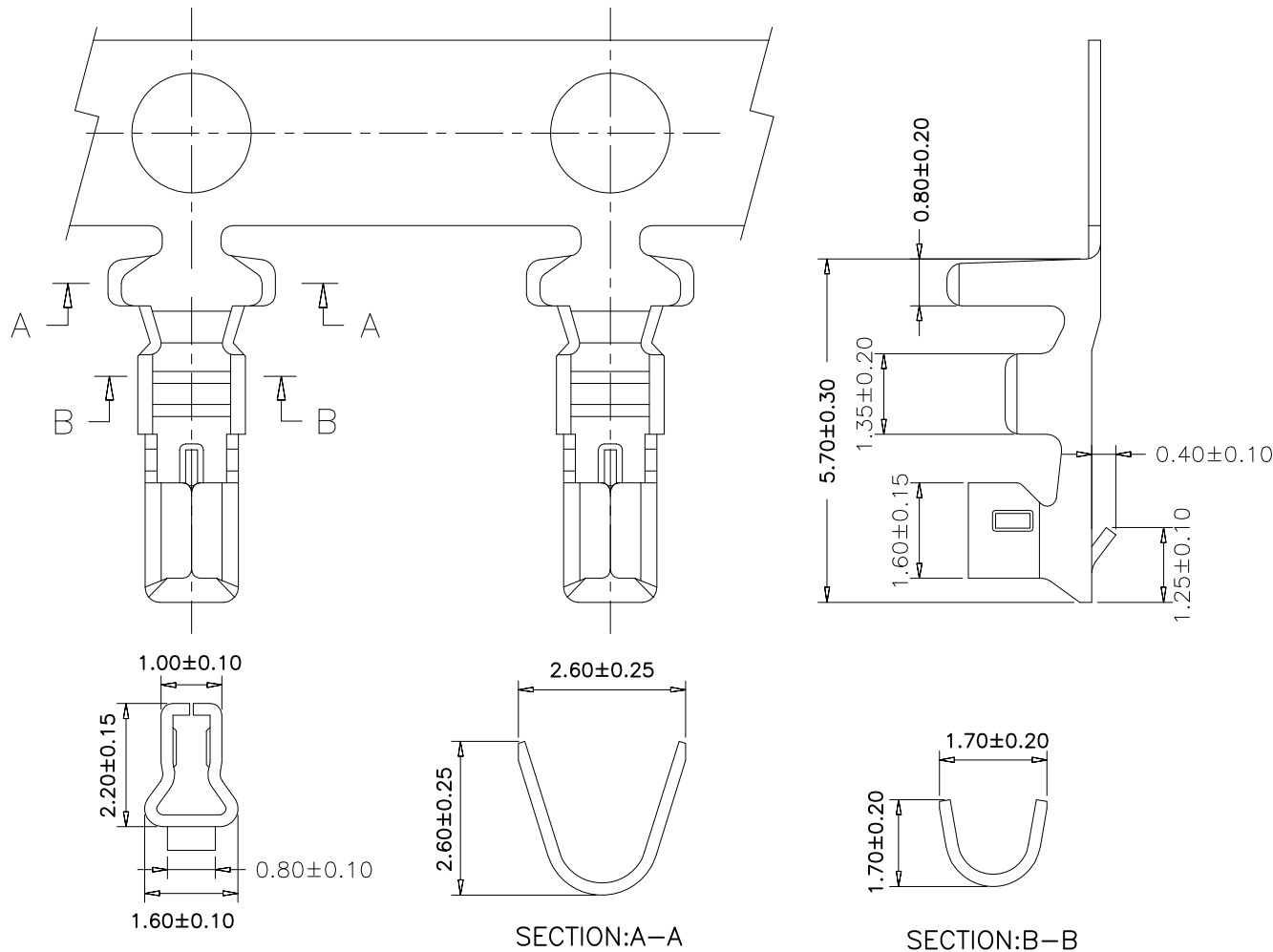


RoHS



Specification:

- Current Rating: 3A AC/DC
- Voltage Rating: 250V AC/DC
- Insulation Resistance: 800MΩ(Min)
- Contact resistance: 20mΩ(Max).
- Withstanding Voltage: 1000VAC(Min)
- Operation Temperature: -25°C to +85°C


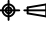
Material:

- Wire Range: 22AWG~28AWG(OD:1.9mm)
- Material: Phosphor Bronze, T=0.20mm
- Finish: Tin Plated
- Q'TY: 10,000Pcs/Reel

Ordering Information

SCT2511T P S 112

Material:
P=Phosphor Bronze S=Tin Plated

					OPERATION	DRAW	Peng	2021.07.07	SCALE	-	 SCONDAR ELECTRONIC LIMITED		
					X.X ±0.35	DESIGN			UNIT	mm			
					X.XX ±0.25		CHECK	Lisa	2021.07.07	SIZE		A4	
					X.XXX ±0.15	APPROVE	Allen	2021.07.07	SHEET	1/1		PART NO.	SCT2511TPS112
REV	DATE	MODIFICATION DESCRIPTION		CHANGE	APPROVE				PROJ.		TITLE:	EH 2.5mm Terminal	