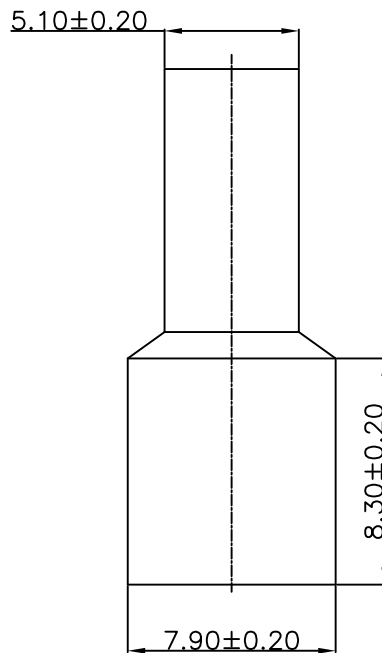
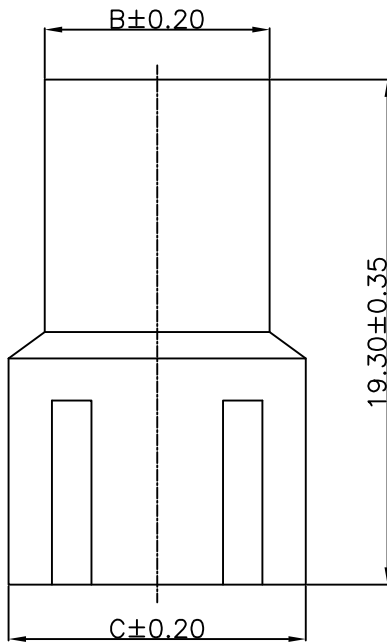
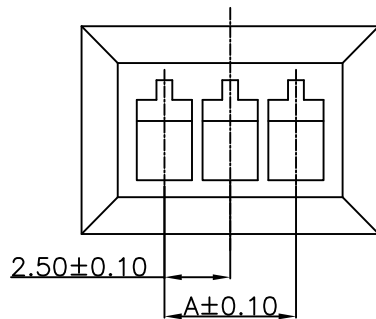


RoHS



Specification:

- Current Rating: 2A AC/DC
- Voltage Rating: 250V AC/DC
- Insulation Resistance: 800MΩ Min
- Withstanding Voltage: 500VAC(1Min)
- Contact resistance: 20mΩ(Max).
- Operation Temperature: -25°C to +85°C

Material:

- Insulator (Housing): Nylon 66 (UL94V-2)
- Color: White

Ordering Information


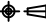
SCT2508FH - xx C WT 115

No.of Pins  
02=2Pin

Insulation  
C=PA66 V2

Color  
WT=White

4	7.50	10.80	13.70
3	5.00	8.40	11.20
2	2.50	5.90	8.70
Poles	A	B	C
	Dimensions		

					OPERATION	DRAW	Peng	2021.07.07	SCALE	-	 <b>SCONDAR ELECTRONIC LIMITED</b>	
					X.X ±0.35	DESIGN			UNIT	mm		
A1	2021.07.07	Changed from SCT2508FH-xxP to SCT2508FH-xxCWT115			X.XX ±0.25		CHECK	Lisa	2021.07.07	SIZE		A4
AO	2009.10.15	NEW			X.XXX ±0.15	APPROVE	Allen	2021.07.07	SHEET	1/1		PART NO.
REV	DATE	MODIFICATION DESCRIPTION		CHANGE	APPROVE	DIM	TOL		PROJ.		TITLE:	MX5240 2.50mm Pitch Female Housing Connector