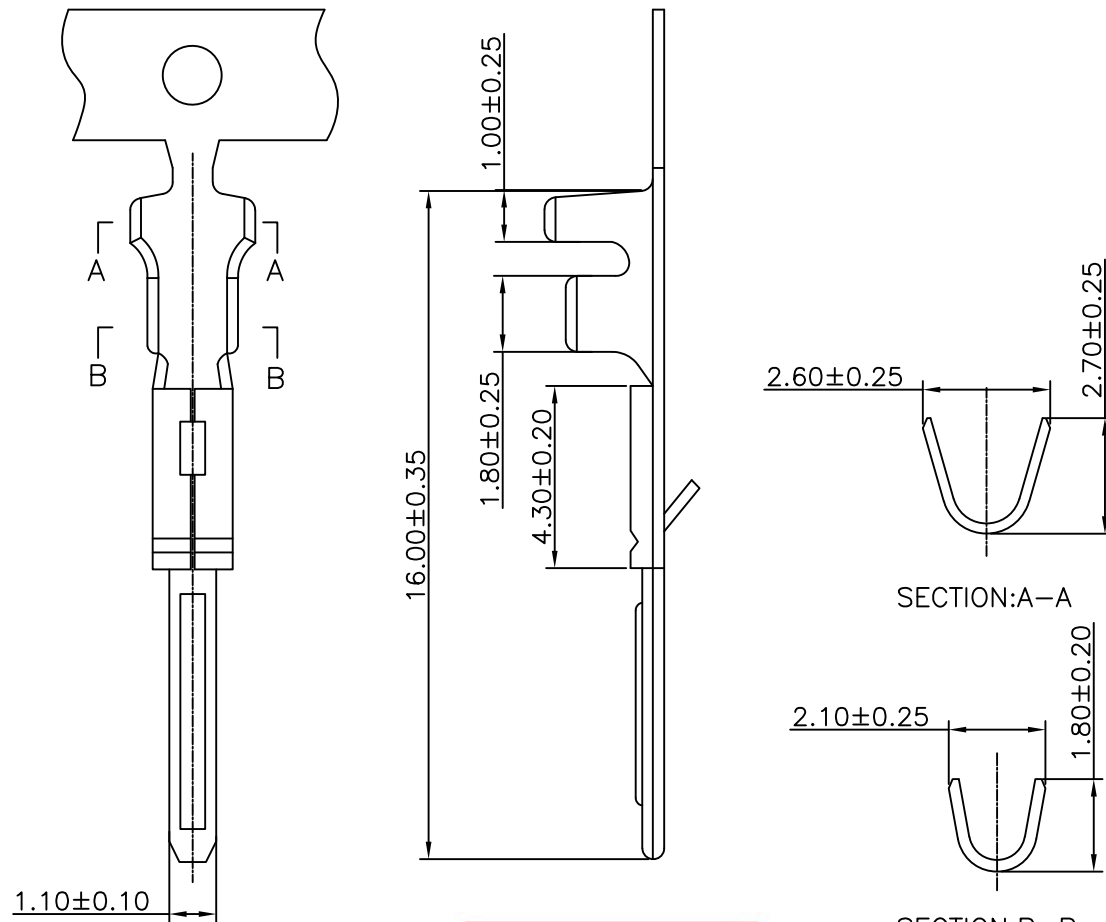


RoHS



Specification:

- Current Rating: 2A AC/DC
- Voltage Rating: 250V AC/DC
- Insulation Resistance: 500MΩ(Min)
- Withstanding Voltage: 1000VAC(Min)
- Contact resistance: 20mΩ(Max).
- Operation Temperature: -25°C to +85°C

Material:

- Wire Range: 22AWG~28AWG(OD:1.8mm)
- Material: Brass, T=0.25mm
- Finish: Tin Plated
- Q'TY: 10,000Pcs/Reel

Ordering Information


SCT2507MT B S 109

Material:
B=Brass

Contact Plated
S=Tin Plated

东莞市冠凯达电子科技有限公司
工程专用章

受控

					OPERATION	DRAW	Peng	2021.07.06	SCALE	-	 SCONDAR ELECTRONIC LIMITED	
					X.X ±0.35	DESIGN			UNIT	mm		
					X.XX ±0.25		CHECK	Lisa	2021.07.06	SIZE		A4
					X.XXX ±0.15	APPROVE	Allen	2021.07.06	SHEET	1/1		PART NO.
A1	2021.07.06	Changed from SCT2507MTP to SCT2507MTPS109			Angle	± 3'			PROJ.	⌀	TITLE:	JST 2.50mm Male Terminal
AO	2015.03.03	NEW			DIM	TOL						
REV	DATE	MODIFICATION DESCRIPTION			CHANGE	APPROVE						