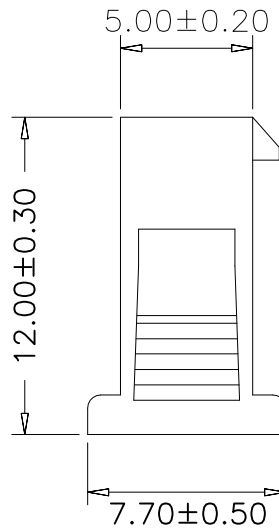
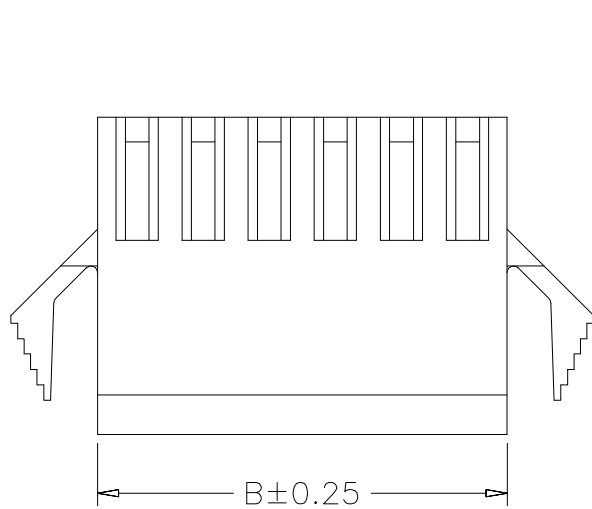
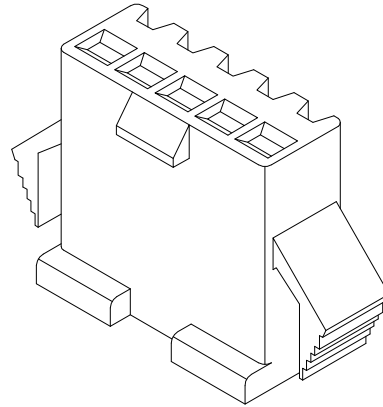
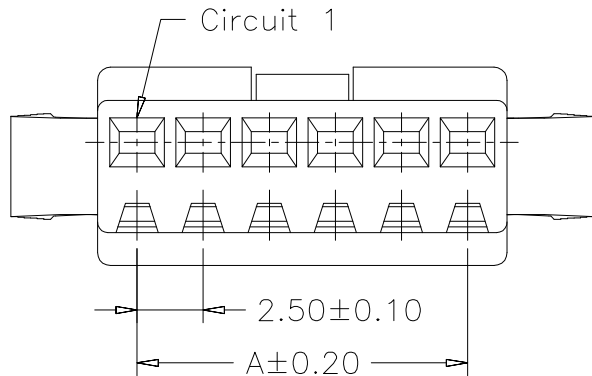


RoHS



Specification:

- Current Rating: 3A AC/DC
- Voltage Rating: 250V AC/DC
- Insulation Resistance: 500MΩ Min
- Withstanding Voltage: 1500VAC(1Min)
- Contact resistance: 20mΩ(Max).
- Operation Temperature: -25°C to +85°C

Material:

- Insulator (Housing): Nylon 66 (UL94V-2)
- Color: Black

Ordering Information

SCT2505MH - xx C BK 109

No.of Pins  
See Table

Insulation  
C=PA66 V2

Color  
BK=Black

东莞市晟凯达电子科技有限公司  
工程专用章

受控

10	22.50	25.50			
9	20.00	23.00			
8	17.50	20.50			
7	15.00	18.00			
6	12.50	15.50			
5	10.00	13.00			
4	7.50	10.50			
3	5.00	8.00	12	27.50	30.50
2	2.50	5.50	11	25.00	28.00
Poles	A	B	Poles	A	B
	Dimensions			Dimensions	

REV	DATE	MODIFICATION DESCRIPTION	CHANGE	APPROVE	OPERATION	DRAW	Peng	2021.07.06	SCALE	-	 SCONDAR ELECTRONIC LIMITED	
A1	2021.07.06	Changed from SCT2505MH-xxP to SCT2505MH-xxCBK109			X.X	DESIGN			UNIT	mm		
AO	2009.10.15	NEW			X.XX	CHECK	Lisa	2021.07.06	SIZE	A4		
					X.XXX	APPROVE	Allen	2021.07.06	SHEET	1/1		
					Angle				PROJ.	⊕	PART NO.	SCT2505MH-xxCBK109
					DIM					⇐	TITLE:	SM 2.50mm Pitch Male Housing Connector