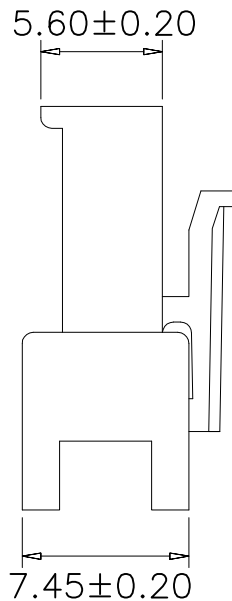
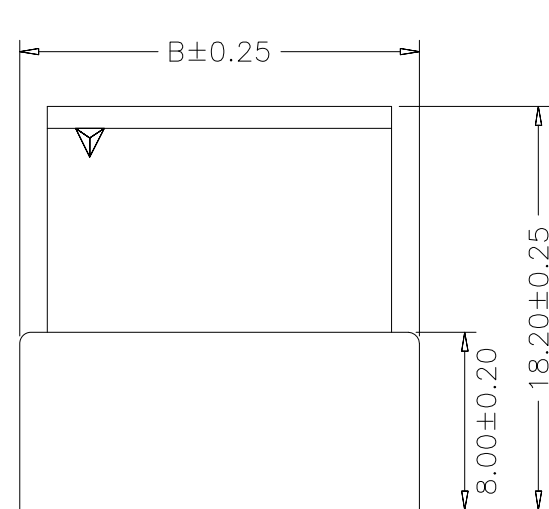
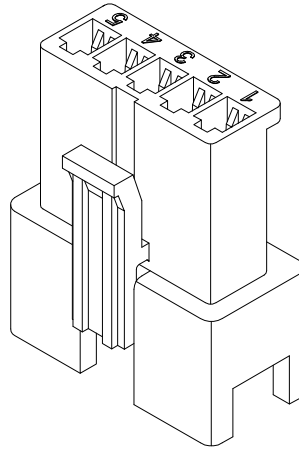
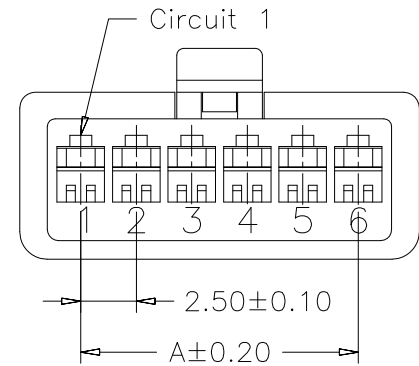


RoHS



Specification:

- Current Rating: 3A AC/DC
- Voltage Rating: 250V AC/DC
- Insulation Resistance: 500MΩ Min
- Withstanding Voltage: 1500VAC(1Min)
- Contact resistance: 20mΩ(Max).
- Operation Temperature: -25°C to +85°C

Material:

- Insulator (Housing): Nylon 66 (UL94V-2)
- Color: Black

Ordering Information

SCT2505FH - xx C BK 109

No.of Pins See Table
Insulation C=PA66 V2
Color BK=Black

东莞市冠凯达电子科技有限公司
工程专用章

受控

10	22.50	28.00			
9	20.00	25.50			
8	17.50	23.00			
7	15.00	20.50			
6	12.50	18.00			
5	10.00	15.50			
4	7.50	13.00			
3	5.00	10.50	12	27.50	33.00
2	2.50	8.00	11	25.00	30.50
Poles	A	B	Poles	A	B
	Dimensions			Dimensions	

					OPERATION	DRAW	Peng	2021.07.06	SCALE	-	 SCONDAR ELECTRONIC LIMITED
					X.X ±0.35	DESIGN			UNIT	mm	
A1	2021.07.06	Changed from SCT2505FH-xxP to SCT2505FH-xxCBK109			X.XX ±0.25		CHECK	Lisa	2021.07.06	SIZE	
AO	2009.10.15	NEW			X.XXX ±0.15	APPROVE	Allen	2021.07.06	SHEET	1/1	
REV	DATE	MODIFICATION DESCRIPTION		CHANGE	APPROVE				PROJ.		TITLE: SM 2.50mm Pitch Female Housing Connector