

RoHS

Recommended P.C.B Layout  
General Tolerance±0.05

Specification:

- Current Rating: 3A AC/DC
- Voltage Rating: 250V AC/DC
- Insulation Resistance: 1000MΩ Min
- Withstanding Voltage: 1000VAC Min
- Contact resistance: 20mΩ(Max).
- Operation Temperature: -25°C to +85°C

Material:

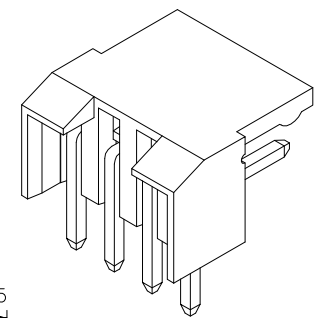
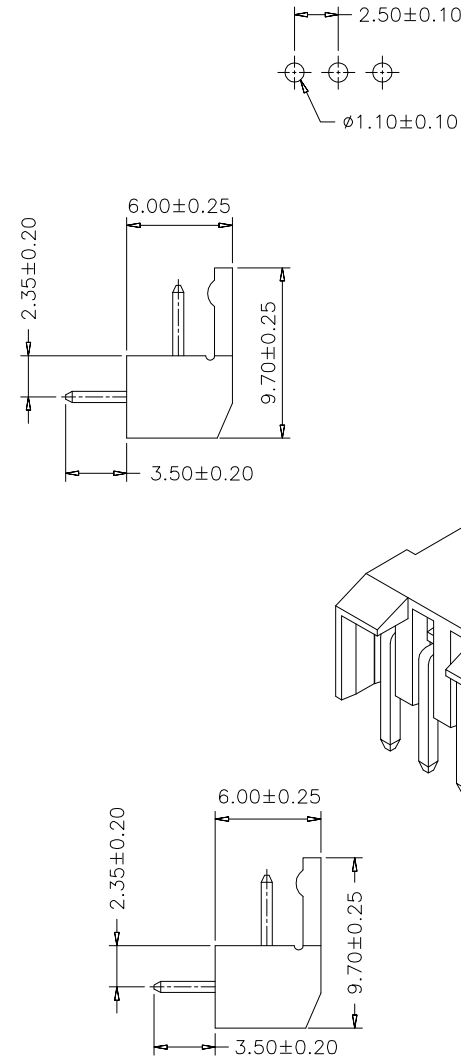
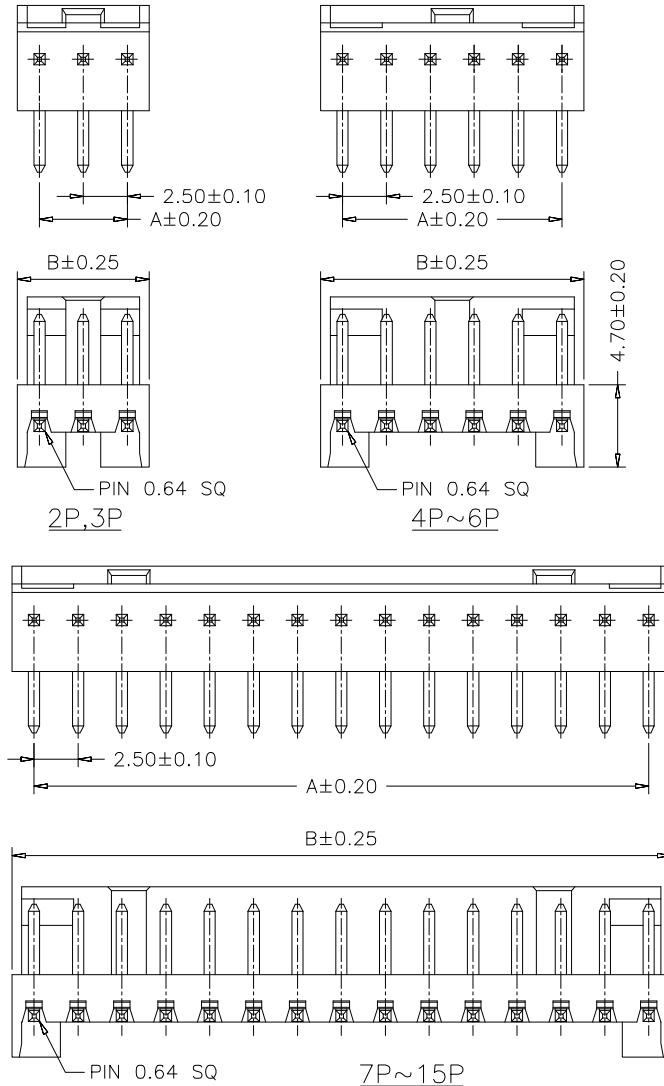
- Insulator (Housing): PA66 (UL94V-0)
- Contacts: Brass
- Solder: Tin Plated
- Color: Brown

Ordering Information

SCT2504WR - \*\* B 0 BN 102

No. of Pins See Table    Insulation B=PA66 V0    Package 0=PE Bag    Color BN=Brown

|       |            |       |       |            |       |
|-------|------------|-------|-------|------------|-------|
| 10    | 22.50      | 25.00 |       |            |       |
| 9     | 20.00      | 22.50 |       |            |       |
| 8     | 17.50      | 20.00 |       |            |       |
| 7     | 15.00      | 17.50 |       |            |       |
| 6     | 12.50      | 15.00 | 15    | 35.00      | 37.50 |
| 5     | 10.00      | 12.50 | 14    | 32.50      | 35.00 |
| 4     | 7.50       | 10.00 | 13    | 30.00      | 32.50 |
| 3     | 5.00       | 7.50  | 12    | 27.50      | 30.00 |
| 2     | 2.50       | 5.00  | 11    | 25.00      | 27.50 |
| Poles | A          | B     | Poles | A          | B     |
|       | Dimensions |       |       | Dimensions |       |



| REV | DATE       | MODIFICATION DESCRIPTION                          | CHANGE | APPROVE | OPERATION | DRAW  | Peng  | 2021.07.06 | SCALE    | -                   | <br>SCONDAR ELECTRONIC LIMITED |                                      |
|-----|------------|---|--------|---------|-----------|-------|-------|------------|----------|---------------------|--------------------------------|--------------------------------------|
| A1  | 2021.07.06 | Changed from SCT2504WR-xxP to SCT2504WR-xxB0BN102 |        |         | X.X       | ±0.35 |       |            | UNIT     | mm                  |                                |                                      |
| AO  | 2006.05.02 | NEW   |        |         | X.XX      | ±0.25 |       |            | SIZE     | A4                  |                                |                                      |
|     |            |   |        |         | X.XXX     | ±0.15 |       |            | SHEET    | 1/1                 |                                |                                      |
|     |            |   |        |         | Angle     | ± 3'  | Lisa  | 2021.07.06 | PART NO. | SCT2504WR-xxB0BN102 |                                |                                      |
|     |            |   |        |         | DIM       | TOL   | Allen | 2021.07.06 | PROJ.    | ⊕                   | TITLE:                         | JAE 2.50mm Pitch 90° Wafer Connector |