

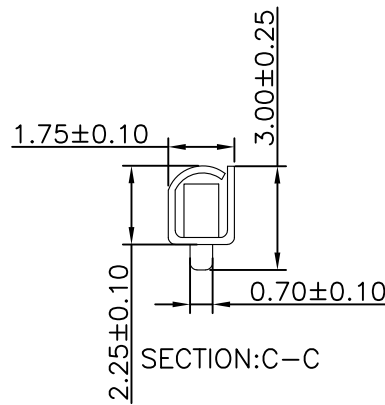
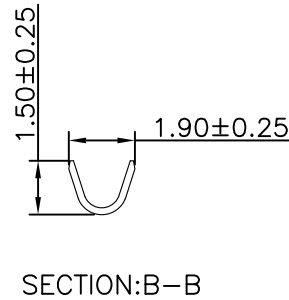
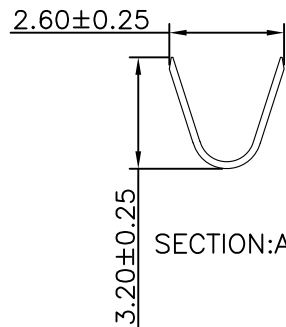
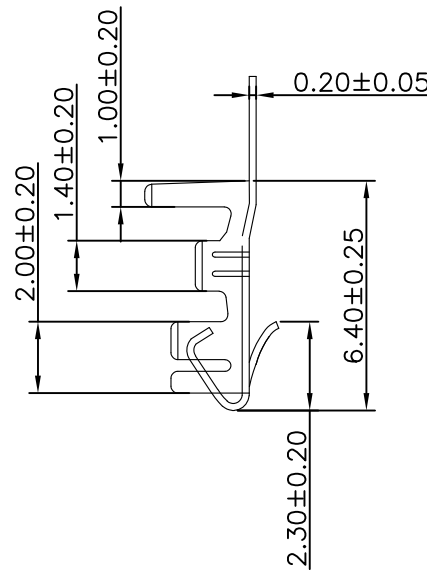
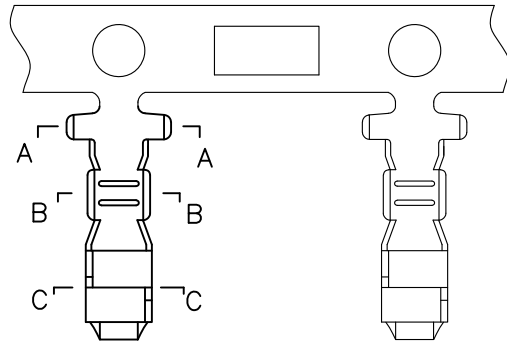
RoHS

Specification:

- Current Rating: 3A AC/DC
- Voltage Rating: 250V AC/DC
- Insulation Resistance: 1000MΩ(Min)
- Contact resistance: 20mΩ(Max).
- Withstanding Voltage: 1000VAC(Min)
- Operation Temperature: -25°C to +85°C

Material:


- Wire Range: 22AWG~28AWG
- Material: Phosphor Bronze, T=0.20mm
- Finish: Tin Plated
- Q'TY: 7000Pcs/Reel



Ordering Information

SCT2501T P S 109

Material:
P=Phosphor Bronze S=Tin Plated

					OPERATION	DRAW	Peng	2021.07.06	SCALE	-	 SCONDAR ELECTRONIC LIMITED	
					X.X ±0.35	DESIGN			UNIT	mm		
					X.XX ±0.25		CHECK	Lisa	2021.07.06	SIZE		A4
A1	2021.07.06	Changed from SCT2501-TP to SCT2501TPS109			X.XXX ±0.15	APPROVE	Allen	2021.07.06	SHEET	1/1	PART NO.	SCT2501TPS109
AO	2015.03.03	NEW			Angle ± 3'				PROJ.	⊕	TITLE:	XH 2.50mm Terminal
REV	DATE	MODIFICATION DESCRIPTION	CHANGE	APPROVE	DIM	TOL						