

RoHS

授控

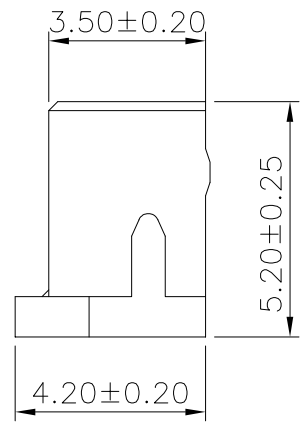
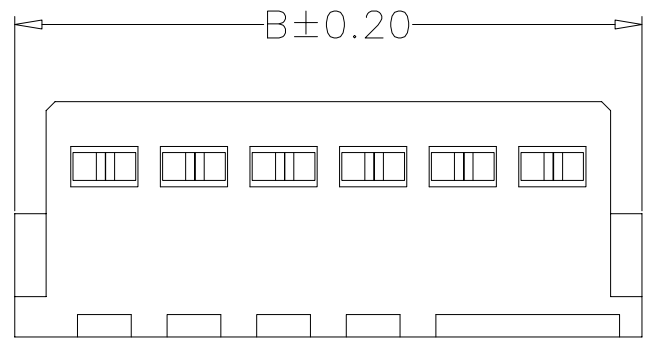
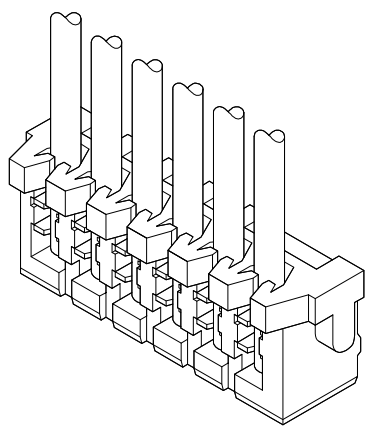
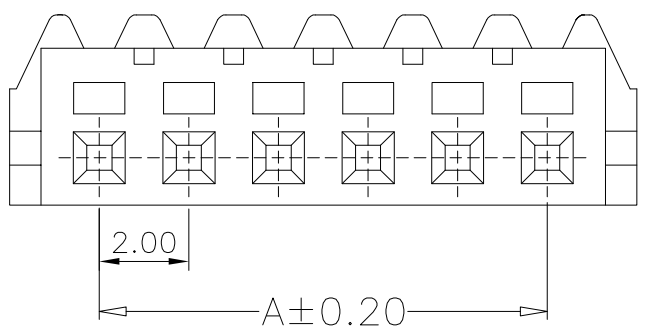
Specifications

- Voltage rating: 125V AC / DC
- Current rating: 3A AC / DC
- Withstanding voltage: 500V AC/minut
- Temperature range: -25°~+105°
- nsulation resistance: ≥1000M
- Contact resistance: ≤20mΩ

Ordering Information

SCT2031HI - ** B 0 GN 182

No.of Pins See Table
 Insulation B=PA66 V0
 Package 0=Bag
 Color
 GN=Green
 GY=Gray
 BK=Black
 WT=White
 RD=Red



Dimensions		Part NO	PIN
A	B		
2.00	6.00	SCT2031HI-02B0GN182	2
4.00	8.00	SCT2031HI-03B0GN182	3
6.00	10.00	SCT2031HI-04B0GN182	4
8.00	12.00	SCT2031HI-05B0GN182	5
10.00	14.00	SCT2031HI-06B0GN182	6
12.00	16.00	SCT2031HI-07B0GN182	7
14.00	18.00	SCT2031HI-08B0GN182	8
16.00	20.00	SCT2031HI-09B0GN182	9
18.00	22.00	SCT2031HI-10B0GN182	10
20.00	24.00	SCT2031HI-11B0GN182	11
22.00	26.00	SCT2031HI-12B0GN182	12
28.00	32.00	SCT2031HI-15B0GN182	15

SCONDAR ELECTRONIC LIMITED
 ENGINEER LIU APPROVED

AO	NEW			OPERATION	DRAW	Zhong	2020.09.16	SCALE	—	 SCONDAR ELECTRONIC LIMITED	
REV	DATE	MODIFICATION DESCRIPTION	CHANGE	APPROVE	DESIGN			UNIT	mm		
				Angle	CHECK	Lisa	2020.09.16	SIZE	A4		
				DIM	APPROVE			SHEET	1/1	Part No.	SCT2031HI-xxB0GN182
				TOL				PROJ.	⌀	TITLE:	KR2.00mm Pitch Wire to Board IDC Housing PA66 V0