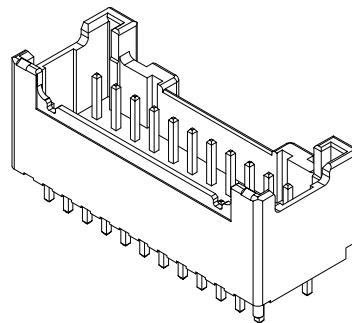
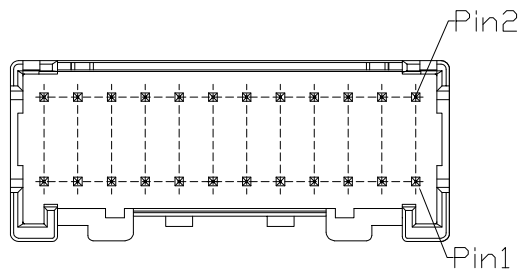
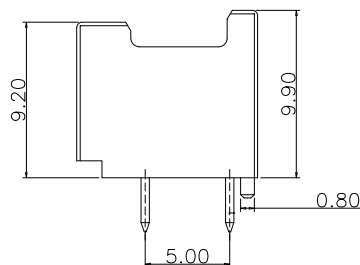
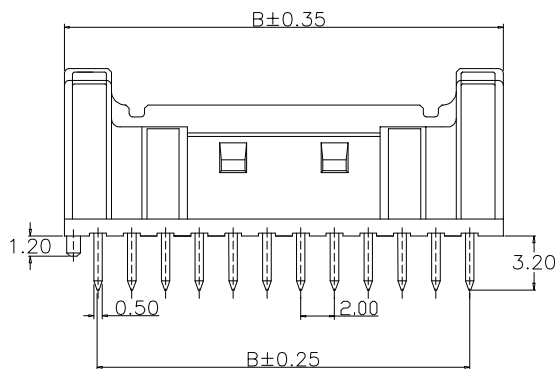


RoHS



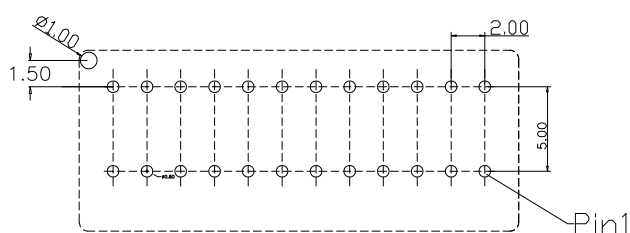
Specification:  
 -Current Rating: 3A AC/DC  
 -Voltage Rating: 250V AC/DC  
 -Insulation Resistance: 1000MΩ Min  
 -Withstanding Voltage: 800VAC(1Min)  
 -Contact resistance: 20mΩ(Max).  
 -Operation Temperature: -25°C to +85°C  
 Material:  
 -Insulator (Housing): PA66 (UL94V-0)  
 -Color: Begie



### Ordering Information

SCT2029WV-2XX B 0 BE 164

No. of Pins See Table  
 Insulation B=PA66 V0  
 Package 0=PE Bag  
 Color BE=Begie WT=White



Recommended P.C.B Layout  
 General Tolerance±0.05

SCONDAR ELECTRONIC, LTD  
 ENGINEER APPROVED LIAO

| Dimensions |       | PIN  | Dimensions |       | PIN  |
|------------|-------|------|------------|-------|------|
| A          | B     |      | A          | B     |      |
| 6.00       | 10.00 | 2*4  | 24.00      | 28.00 | 2*13 |
| 8.00       | 12.00 | 2*5  | 26.00      | 30.00 | 2*14 |
| 10.00      | 14.00 | 2*6  | 28.00      | 32.00 | 2*15 |
| 12.00      | 16.00 | 2*7  | 30.00      | 34.00 | 2*16 |
| 14.00      | 18.00 | 2*8  | 32.00      | 36.00 | 2*17 |
| 16.00      | 20.00 | 2*9  | 34.00      | 38.00 | 2*18 |
| 18.00      | 22.00 | 2*10 | 36.00      | 40.00 | 2*19 |
| 20.00      | 24.00 | 2*11 | 38.00      | 42.00 | 2*20 |
| 22.00      | 26.00 | 2*12 |            |       |      |

|     |      |                          |        |         |             |         |         |            |       |     |                                |  |
|-----|------|--------------------------|--------|---------|-------------|---------|---------|------------|-------|-----|--------------------------------|--|
|     |      |                          |        |         | OPERATION   | DRAW    | Zhong   | 2019.06.06 | SCALE | —   | <br>SCONDAR ELECTRONIC LIMITED |  |
|     |      |                          |        |         | X.X ±0.30   | DESIGN  |         |            | UNIT  | mm  |                                |  |
|     |      |                          |        |         | X.XX ±0.20  | CHECK   | Lisa    | 2019.06.06 | SIZE  | A4  |                                |  |
| A0  |      | NEW                      |        |         | X.XXX ±0.10 | APPROVE |         |            | SHEET | 1/1 |                                | Part No  |
| REV | DATE | MODIFICATION DESCRIPTION | CHANGE | APPROVE | EDIM        | TOL     | APPROVE |            | PROJ  |     | TITLE:                         | PND2.00mm DIP WV PA66 V0 Dual Row xxPin Socket |