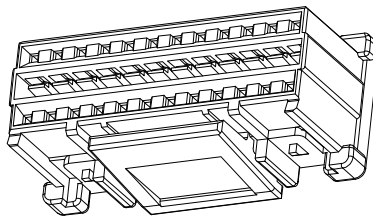
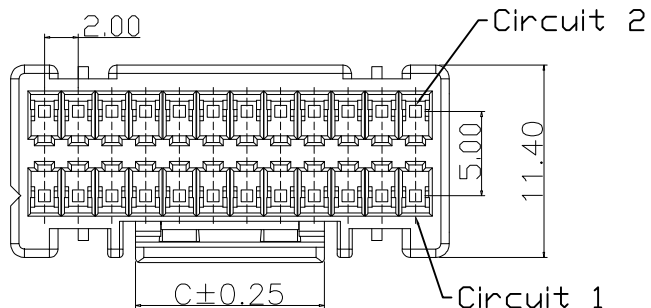


RoHS



Specification:

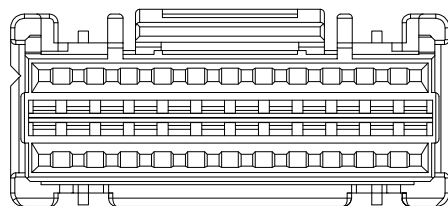
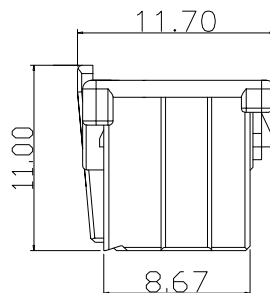
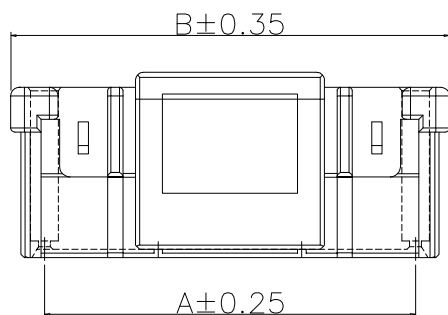
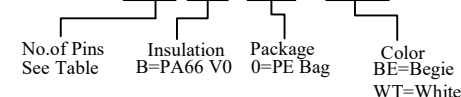
- Current Rating: 3A AC/DC
- Voltage Rating: 250V AC/DC
- Insulation Resistance: 1000MΩ Min
- Withstanding Voltage: 800VAC(1Min)
- Contact resistance: 20mΩ (Max).
- Operation Temperature: -25°C to +85°C

Material:

- Insulator (Housing): PA66 (UL94V-0)
- Color: White

Ordering Information

SCT2029H-2XX B 0 BE 164



SCONDAR ELECTRONIC, LTD
ENGINEER APPROVED LYAO

Dimensions				PIN	Dimensions			PIN
A	B	C	A		B	C		
6.00	10.00	4.80	2*4	24.00	28.00	22.80	2*13	
8.00	12.00	6.80	2*5	26.00	30.00	24.80	2*14	
10.00	14.00	8.80	2*6	28.00	32.00	26.80	2*15	
12.00	16.00	10.80	2*7	30.00	34.00	28.80	2*16	
14.00	18.00	12.80	2*8	32.00	36.00	30.80	2*17	
16.00	20.00	14.80	2*9	34.00	38.00	32.80	2*18	
18.00	22.00	16.80	2*10	36.00	40.00	34.80	2*19	
20.00	24.00	18.80	2*11	38.00	42.00	36.80	2*20	
22.00	26.00	20.80	2*12					

					OPERATION	DRAW	Zhong	2019.06.06	SCALE	—	 SCONDAR ELECTRONIC LIMITED	
					X.X ±0.30	DESIGN			UNIT	mm		
					X.XX ±0.20	CHECK	Lisa	2019.06.06	SIZE	A4		
A0		NEW			X.XXX ±0.10	APPROVE			SHEET	1/1		Part No
REV	DATE	MODIFICATION DESCRIPTION	CHANGE	APPROVE	EDIM	TOL	APPROVE		PROJ	⌀	TITLE:	PND2.00mm HSG PA66 V0 Dual Row xxPin WT