

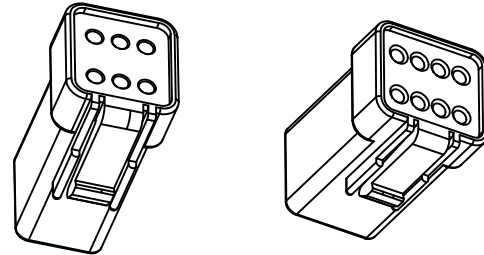
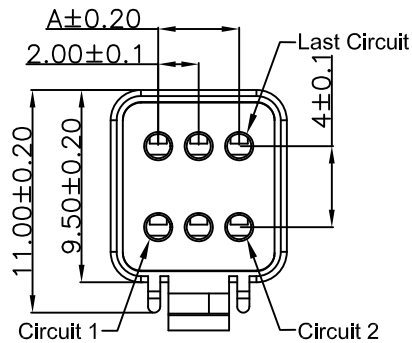
RoHS

Specification:

- Current Rating: 3A AC/DC
- Voltage Rating: 100V AC/DC
- Insulation Resistance: 1000MΩ Min
- Withstanding Voltage: 1000VAC(1Min)
- Contact resistance: 20mΩ(Max).
- After environmental testing: 30mΩ(Max).
- Operation Temperature: -25°C to +85°C

Material:

- Insulator (Housing): PBT (UL94V-0)
- Color: White



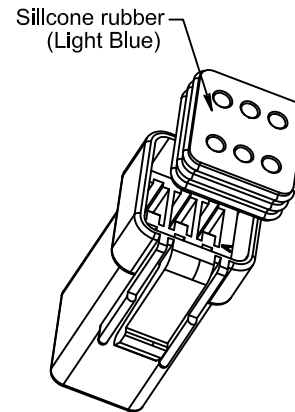
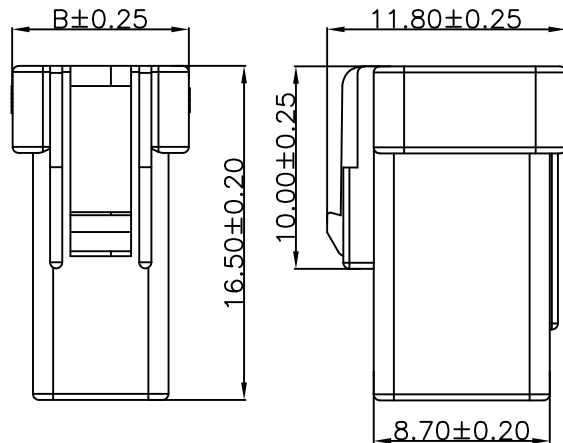
Ordering Information

SCT2019MH -2xx D WT 155


No. of Pins
See Table

Insulation
D=PBT

Color
WT=White



2x4	6.00	10.70
2x3	4.00	8.70
Poles	A	B
	Dimensions	

					OPERATION	DRAW	Peng	2021.03.15	SCALE	-	 SCONDAR ELECTRONIC LIMITED
					X.X ±0.35	DESIGN			UNIT	mm	
					X.XX ±0.25	CHECK	Lisa	2021.03.15	SIZE	A4	
AO	2021.03.15	NEW			X.XXX ±0.15	APPROVE	Allen	2021.03.15	SHEET	1/1	
REV	DATE	MODIFICATION DESCRIPTION	CHANGE	APPROVE	Angle DIM	± 3' TOL			PROJ.	⊕	TITLE: JWPE 2.00mm Pitch Housing Connector