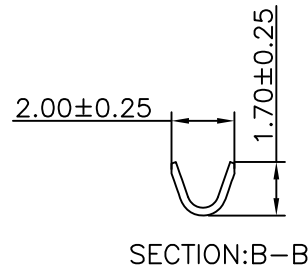
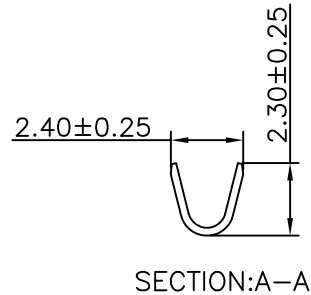
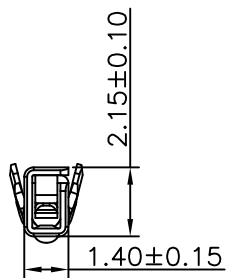
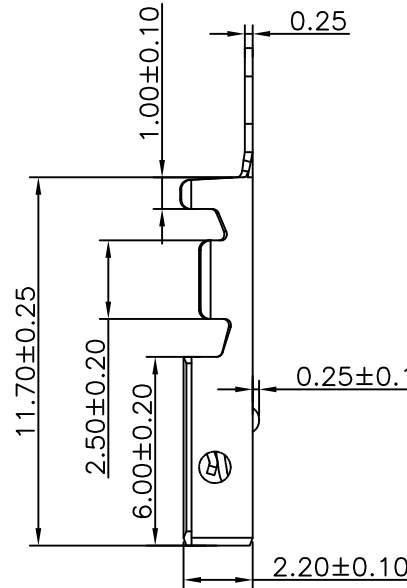
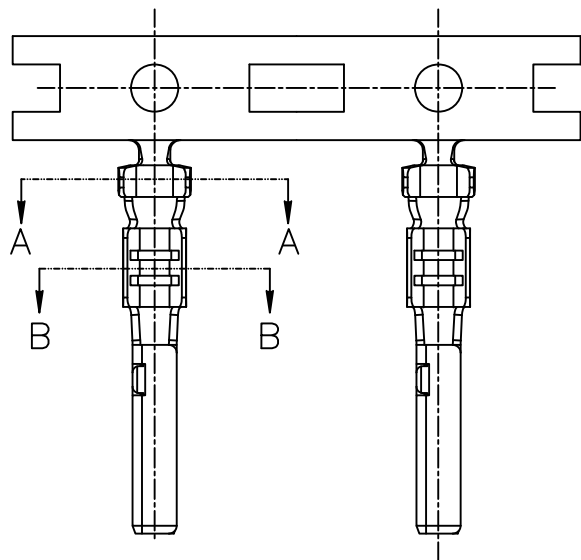


RoHS



Specification:

- Current Rating: 3A AC/DC
- Voltage Rating: 100V AC/DC
- Insulation Resistance: 1000MΩ(Min)
- Contact resistance: 20mΩ(Max).
- Withstanding Voltage: 1000VAC(Min)
- Operation Temperature: -25°C to +85°C


Material:

- Wire Range: 22AWG~26AWG
- Material: Phosphor Bronze, T=0.20mm
- Finish: Tin Plated/Gold Plated
- Q'TY: 10000Pcs/Tray

Ordering Information

SCT2019FT P * 155

Material:
P=Phosphor Bronze Contact Plated
S=Tin Plated
G=Gold Plated

					OPERATION	DRAW	Peng	2021.03.15	SCALE	-	 SCONDAR ELECTRONIC LIMITED	
					X.X	±0.35			UNIT	mm		
					X.XX	±0.25			SIZE	A4		
					X.XXX	±0.15		2021.03.15	SHEET	1/1		
AO	2015.03.03	NEW					Lisa		PART NO.	SCT2019FTPx155		
REV	DATE	MODIFICATION DESCRIPTION			CHANGE	APPROVE	Allen	2021.03.15	PROJ.	TITLE: JWPE 2.00mm Terminal		