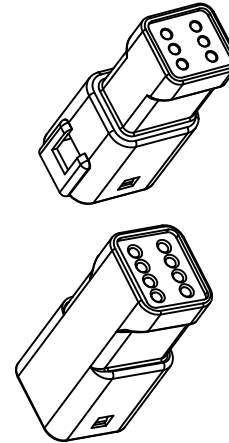
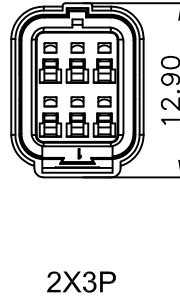
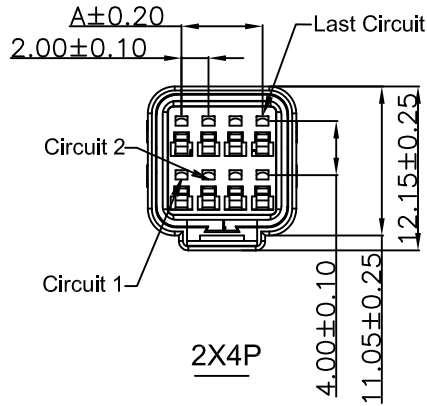


RoHS



Specification:

- Current Rating: 3A AC/DC
- Voltage Rating: 100V AC/DC
- Insulation Resistance: 1000MΩ Min
- Withstanding Voltage: 1000VAC(1Min)
- Contact resistance: 20mΩ(Max).
- After environmental testing: 30mΩ(Max).
- Operation Temperature: -25°C to +85°C

Material:

- Insulator (Housing): PBT (UL94V-0)
- Color: White

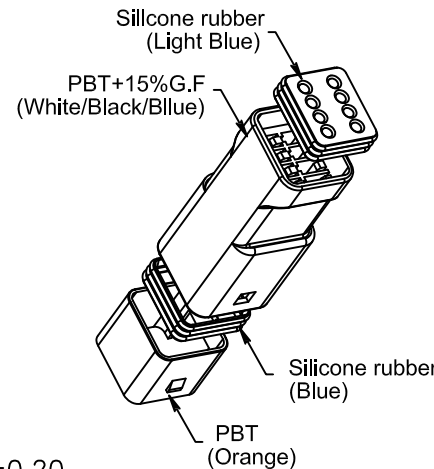
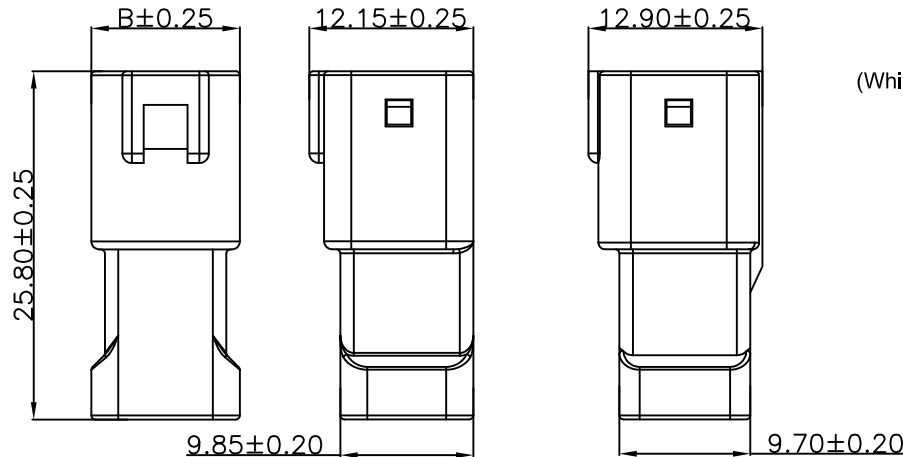
Ordering Information

SCT2019FH -2xx D WT 155

No. of Pins
See Table

Insulation
D=PBT

Color
WT=White



2x4	6.00	11.00
2x3	4.00	9.80
Poles	A	B
	Dimensions	

					OPERATION	DRAW	Peng	2021.03.15	SCALE	-	 SCONDAR ELECTRONIC LIMITED	
					X.X	±0.35			UNIT	mm		
					X.XX	±0.25			SIZE	A4		
					X.XXX	±0.15		2021.03.15	SHEET	1/1		
AO	2021.03.15	NEW			Angle	± 3'			PART NO.	SCT2019FH-2xxDWT155		
REV	DATE	MODIFICATION DESCRIPTION	CHANGE	APPROVE	DIM	TOL	APPROVE	Allen	2021.03.15	PROJ.	TITLE:	JWPE 2.00mm Pitch Housing Female Connector