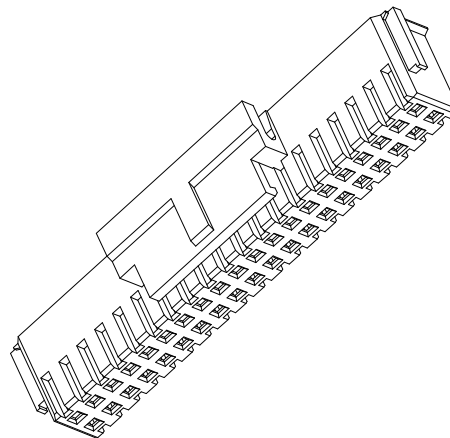
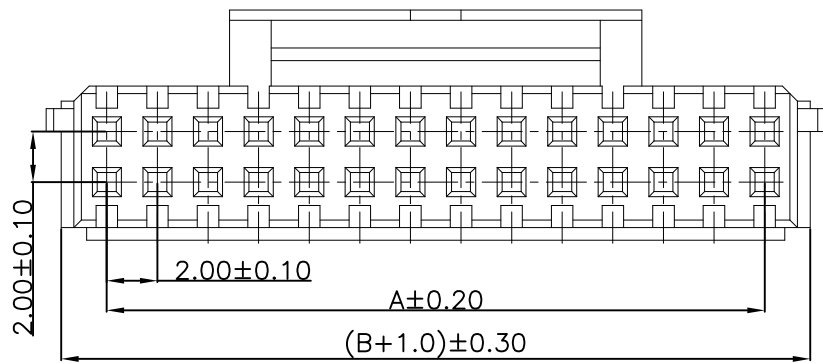
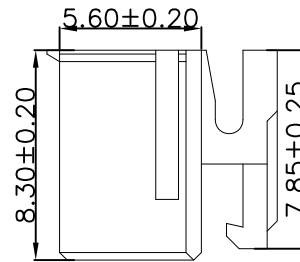
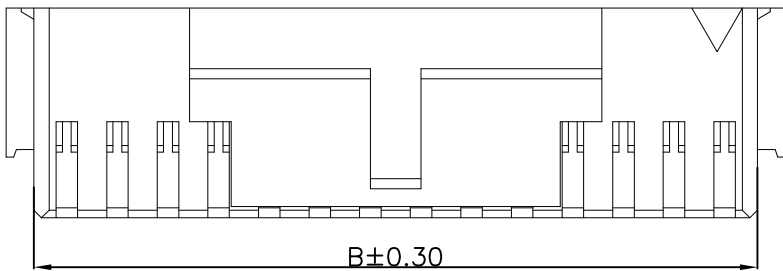
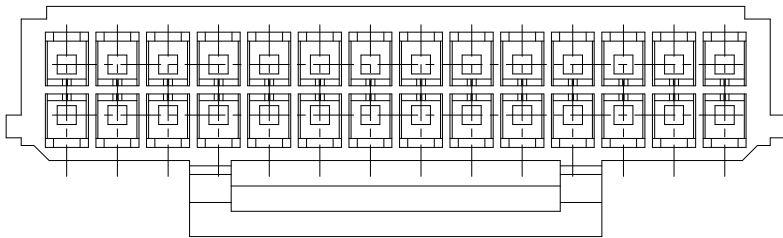


RoHS



Specification:

- Current Rating: 2A AC/DC
- Voltage Rating: 125V AC/DC
- Insulation Resistance: 800MΩ Min
- Withstanding Voltage: 500VAC(1Min)
- Contact resistance: 20mΩ(Max).
- Operation Temperature: -25°C to +85°C

Material:



- Insulator (Housing): Nylon 66 (UL94V-0)
- Color: White

Ordering Information

SCT2009H - 2xx B WT 101

No.of Pins See Table  
Insulation B=PA66  
Color WT=White

2*12	22.00	24.60			
2*11	20.00	22.60	2*20	38.00	40.60
2*10	18.00	20.60	2*19	36.00	38.60
2*9	16.00	18.60	2*18	34.00	36.60
2*8	14.00	16.60	2*17	32.00	34.60
2*7	12.00	14.60	2*16	30.00	32.60
2*6	10.00	12.60	2*15	28.00	30.60
2*5	8.00	10.60	2*14	26.00	28.60
2*4	6.00	8.60	2*13	24.00	26.60
Poles	A	B	Poles	A	B
	Dimensions			Dimensions	

REV	DATE	MODIFICATION DESCRIPTION	CHANGE	APPROVE	OPERATION	DRAW	Peng	2021.07.10	SCALE	-	 SCONDAR ELECTRONIC LIMITED
A1	2021.07.10	Changed from SCT2009H-2xxP to SCT2009H-2xxBWT101			X.X	±0.35			UNIT	mm	
AO	2009.10.15	NEW			X.XX	±0.25	Lisa	2021.07.10	SIZE	A4	
					X.XXX	±0.15	Allen	2021.07.10	SHEET	1/1	
					Angle	± 3'			PART NO.	SCT2009H-2xxBWT101	
					DIM	TOL			PROJ.	PHSD 2.00mm Pitch Housing Connector	