

RoHS

Recommended P.C.B Layout
General Tolerance±0.05

Specification:

- Current Rating: 1A AC/DC
- Voltage Rating: 100V AC/DC
- Insulation Resistance: 1000MΩ Min
- Withstanding Voltage: 800VAC(1Min)
- Contact resistance: 20mΩ(Max).
- Operation Temperature: -25°C to +85°C

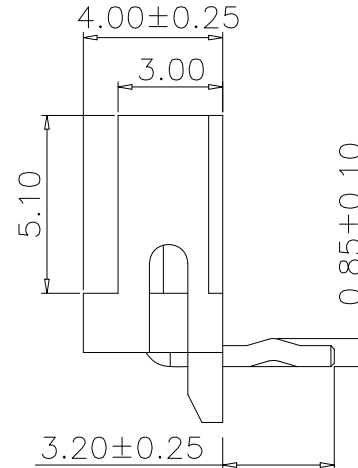
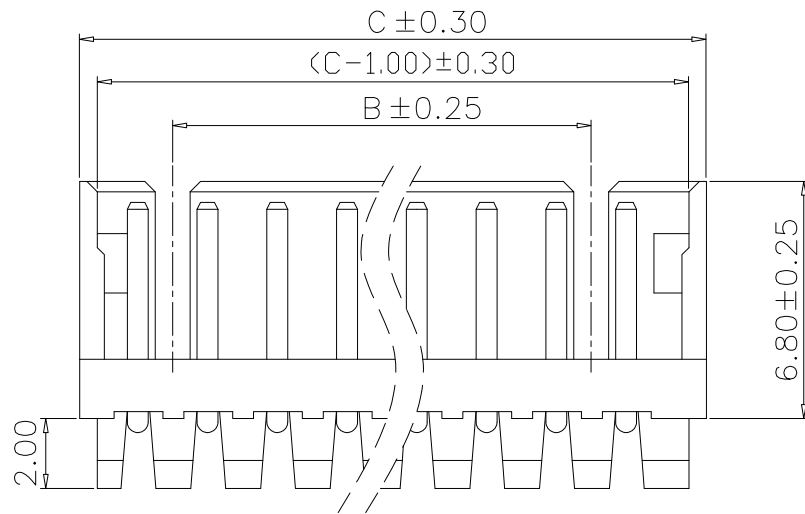
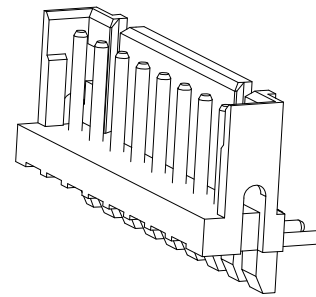
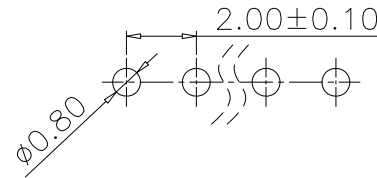
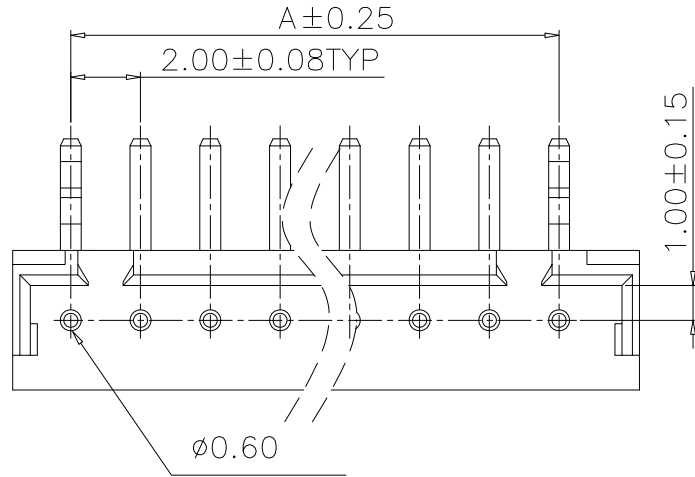
Material:

- Insulator (Housing): PA66 (UL94V-0)
- Contacts:Brass Tin Plated
- Color: White


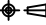

Ordering Information

SCT2007WR - ** B 0 WT 602

No. of Pins See Table
Insulation B=PA66
Package 0=PE Bag
Color WT=White



10	18.00	16.00	21.96				
9	16.00	14.00	19.96				
8	14.00	12.00	17.96				
7	12.00	10.00	15.96				
6	10.00	8.00	13.96	15	28.00	26.00	31.96
5	8.00	6.00	11.96	14	26.00	24.00	29.96
4	6.00	4.00	9.96	13	24.00	22.00	27.96
3	4.00		7.96	12	22.00	20.00	25.96
2	2.00		5.96	11	20.00	18.00	23.96
Poles	A	B	C	Poles	A	B	C
	Dimensions				Dimensions		

REV	DATE	MODIFICATION DESCRIPTION	CHANGE	APPROVE	OPERATION	DRAW	Peng	2021.07.15	SCALE		 SCONDAR ELECTRONIC LIMITED		
A1	2021.07.15	Changed from SCT2007WR-xxP to SCT2007WR-xxBOWT602			X.X	±0.35			UNIT	mm			
AO	2015.05.15	NEW			X.XX	±0.25			SIZE	A4			
					X.XXX	±0.15			SHEET	1/1			
					Angle	± 3'			PROJ.		PART NO.	SCT2007WR-xxBOWT602	
					DIM	TOL	APPROVE	Allen	2021.07.15	TITLE:	AMP 2.00mm 90° Wafer		