

RoHS

Specification:

- Current Rating: 3A AC/DC
- Voltage Rating: 250V AC/DC
- Insulation Resistance: 1000MΩ Min
- Withstanding Voltage: 1000VAC(1Min)
- Contact resistance: 20mΩ(Max).
- Operation Temperature: -25°C to +85°C

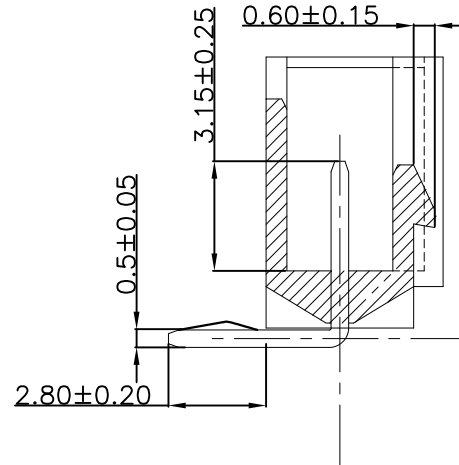
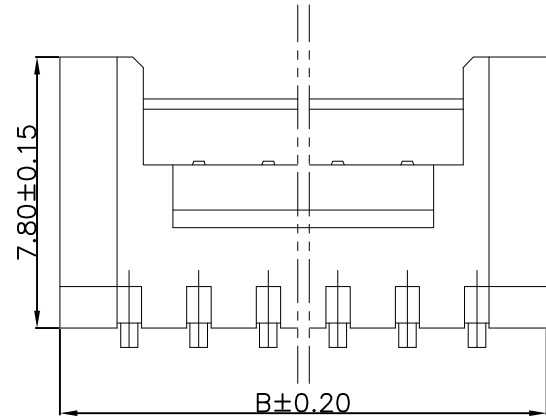
Material:

- Insulator (Housing): PA46 (UL94V-0)
- Contacts: Brass Tin Plated
- Color: Beige

Ordering Information

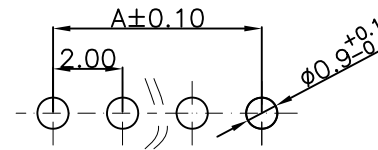
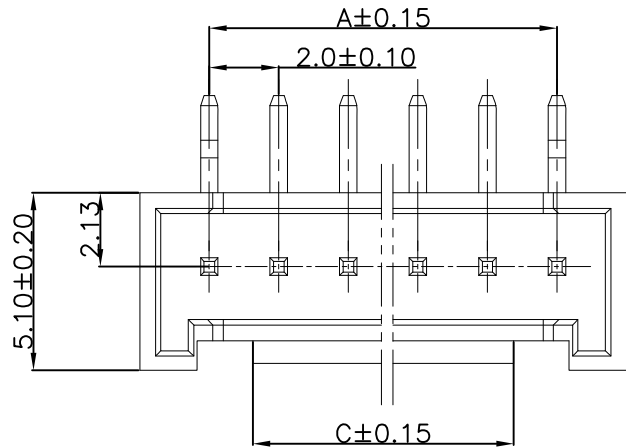
SCT2006WR - ** G 0 BE 101

No. of Pins See Table
 Insulation G=PA46
 Package 0=PE Bag
 Color BE=Beige



东莞市晟凯达电子科技有限公司
 工程专用章

受控



Recommended P.C.B Layout
 General Tolerance±0.05

9	16.00	20.00	13.50				
8	14.00	18.00	11.50	16	30.00	34.00	15.50
7	12.00	16.00	9.50	15	28.00	32.00	15.50
6	10.00	14.00	7.50	14	26.00	30.00	15.50
5	8.00	12.00	5.50	13	24.00	28.00	15.50
4	6.00	10.00	3.50	12	22.00	26.00	15.50
3	4.00	8.00	3.20	11	20.00	24.00	15.50
2	2.00	6.00	2.80	10	18.00	22.00	15.50
Poles	A	B	C	Poles	A	B	C
	Dimensions				Dimensions		

					OPERATION	DRAW	Peng	2021.07.10	SCALE		 SCONDAR ELECTRONIC LIMITED
					X.X ±0.35	DESIGN			UNIT	mm	
A1	2021.07.10	Changed from SCT2006WR-xxP to SCT2006WR-xxG0BE101			X.XX ±0.25		CHECK	Lisa	2021.07.10	SIZE	
AO	2015.05.15	NEW			X.XXX ±0.15	APPROVE	Allen	2021.07.10	SHEET	1/1	
REV	DATE	MODIFICATION DESCRIPTION		CHANGE	APPROVE				PROJECT	PART NO. SCT2006WR-xxG0BE101 TITLE: YH 2.00mm 90° Wafer	