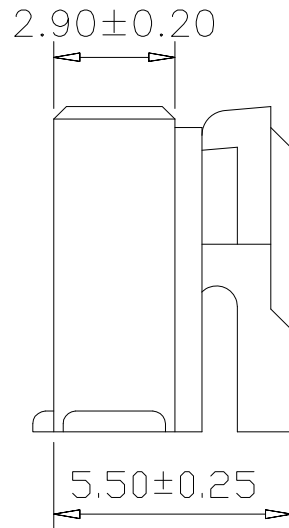
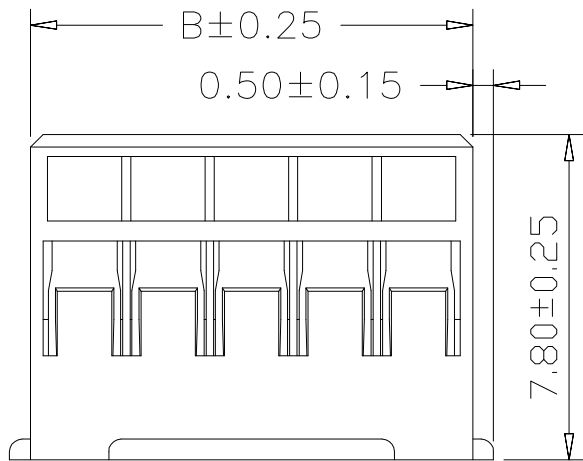
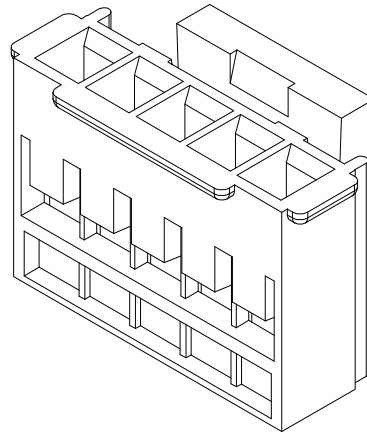
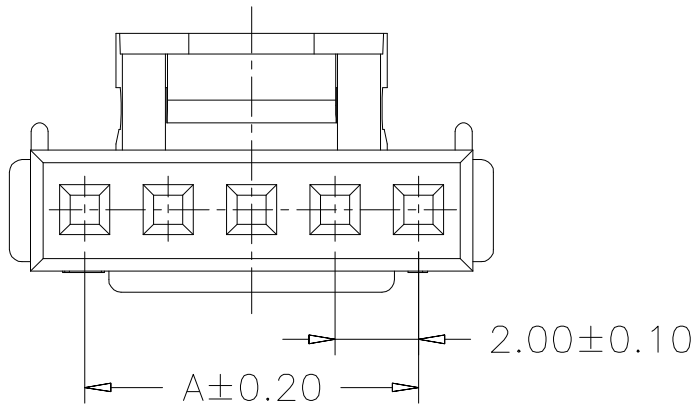


RoHS



Specification:

- Current Rating: 3A AC/DC
- Voltage Rating: 250V AC/DC
- Insulation Resistance: 1000MΩ Min
- Withstanding Voltage: 1000VAC(1Min)
- Contact resistance: 20mΩ(Max).
- Operation Temperature: -25°C to +85°C

Material:

- Insulator (Housing): Nylon 66 (UL94V-2)
- Color: White

Ordering Information


SCT2006H - xx B WT 106

No.of Pins  
See Table

Insulation  
B=PA66

Color  
WT=White

10	18.00	20.60			
9	16.00	18.60			
8	14.00	16.60			
7	12.00	14.60	16	30.00	32.60
6	10.00	12.60	15	28.00	30.60
5	8.00	10.60	14	26.00	28.60
4	6.00	8.60	13	24.00	26.60
3	4.00	6.60	12	22.00	24.60
2	2.00	4.60	11	20.00	22.60
Poles	A	B	Poles	A	B
	Dimensions			Dimensions	

REV	DATE	MODIFICATION DESCRIPTION	CHANGE	APPROVE	OPERATION	DRAW	Peng	2021.07.10	SCALE	-	 SCONDAR ELECTRONIC LIMITED	
A1	2021.07.10	Changed from SCT2006H-xxP to SCT2006H-xxBWT106			X.X	±0.35			UNIT	mm		
AO	2009.10.15	NEW			X.XX	±0.25			SIZE	A4		
					X.XXX	±0.15		2021.07.10	SHEET	1/1		
					Angle	± 3'			PROJ.	⊕	PART NO.	SCT2006H-xxBWT106
					DIM	TOL		2021.07.10			TITLE:	YH 2.00mm Pitch Housing Connector