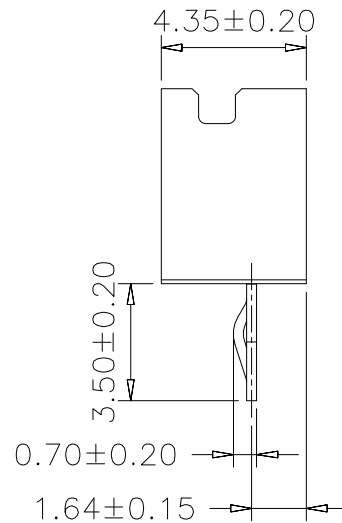
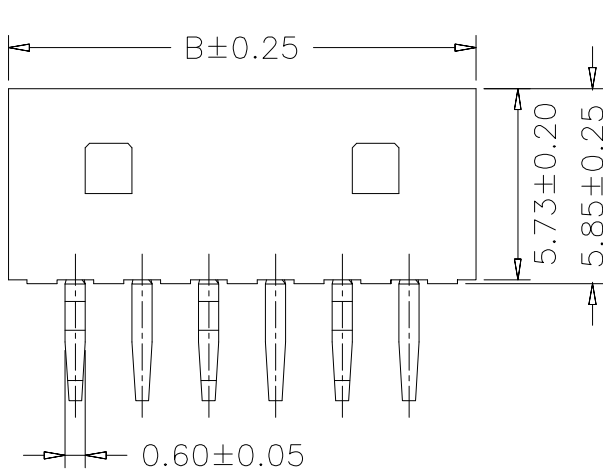
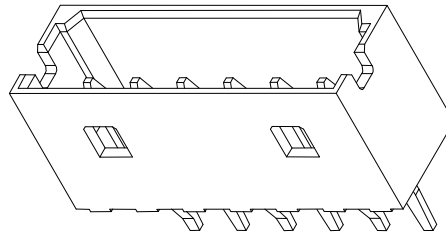
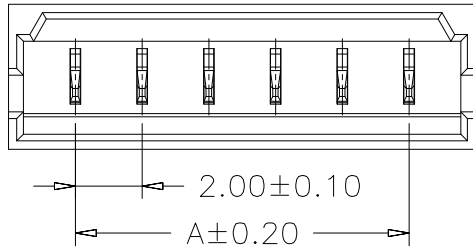
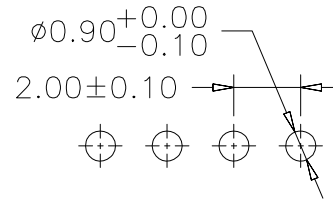


RoHS

Recommended P.C.B Layout
General Tolerance±0.05



Specification:

- Current Rating: 2A AC/DC
- Voltage Rating: 125V AC/DC
- Insulation Resistance: 1000MΩ Min
- Withstanding Voltage: 800VAC(1Min)
- Contact resistance: 20mΩ(Max).
- Operation Temperature: -25°C to +85°C

Material:

- Insulator (Housing): Nylon 66 (UL94V-0)
- Contacts: Brass Tin Plated
- Color: Beige

Ordering Information

SCT2002WV - ** B 2 BE 103

No. of Pins See Table Insulation B=PA66 Package 2=Tube Color BE=Beige

10	18.00	22.00			
9	16.00	20.00			
8	14.00	18.00			
7	12.00	16.00			
6	10.00	14.00	15	28.00	32.00
5	8.00	12.00	14	26.00	30.00
4	6.00	10.00	13	24.00	28.00
3	4.00	8.00	12	22.00	26.00
2	2.00	6.00	11	20.00	24.00
Poles	A	B	Poles	A	B
	Dimensions			Dimensions	

REV	DATE	MODIFICATION DESCRIPTION	CHANGE	APPROVE	OPERATION	DRAW	Peng	2021.07.10	SCALE		 SCONDAR ELECTRONIC LIMITED	
A1	2021.07.10	Changed from SCT2002WV-xxP to SCT2002WV-xxB2BE103			X.X	±0.35			UNIT	mm		
AO	2010.05.15	NEW			X.XX	±0.25			SIZE	A4		
					X.XXX	±0.15			SHEET	1/1		
					Angle	± 3'			PROJ.	☉	PART NO.	SCT2002WV-xxB2BE103
					DIM	TOL					TITLE:	MX 2.00mm 180° Wafer