

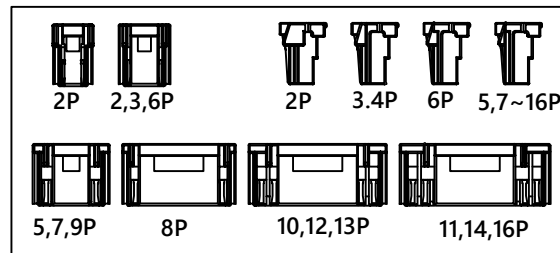
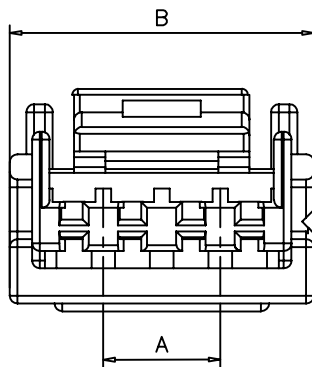
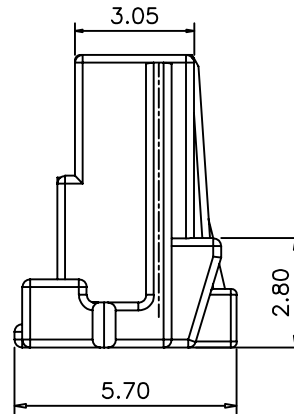
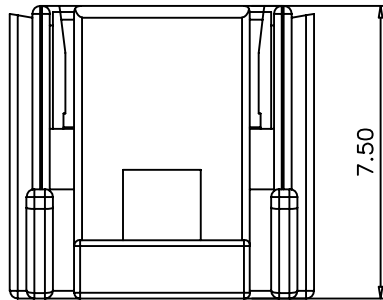
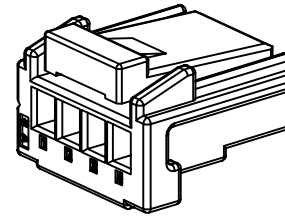
RoHS

Specification:

- Current Rating: 2A AC/DC
- Voitage Rating: 125V AC/DC
- Insulation Resistance: $\geq 500M\Omega$
- Withstanding Voltage: 500VAC(1Min)
- Contact resistance: $\leq 20m\Omega$ (Max)
- After environmental testing: $\leq 40m\Omega$
- Operation Temperature: $-40^{\circ}C$ to $+105^{\circ}C$

Material:

- Insulator (Housing): PBT (UL94V-0)
- Color:with



SCALE 1.5:1

Ordering Information
SCT1506H -xx D WT 184

No.of Pins See Table Insulation D=PBT Color WT=with

POLES	Dimensions		POLES	Dimensions	
	A	B		A	B
2	1.5	5.0	10	13.5	16.8
3	3.0	6.3	11	15.0	18.3
4	4.5	7.8	12	16.5	19.8
5	6.0	9.3	13	18.0	21.3
6	7.5	10.8	14	19.5	22.8
7	9.0	12.3	15	21.0	24.3
8	10.5	13.8	16	22.5	25.8
9	12.0	15.3			

SCONDAR ELECTRONIC LIMITED
 ENGINEER LIU APPROVED

OPERATION	DRAW	Peng	2019.08.18
X.X ±0.35	DESIGN		
X.XX ±0.25	CHECK	Lisa	2019.08.19
X.XXX ±0.15	APPROVE	Allen	2019.08.20
Angle ± 3'			
DIM TOL			

SCONDAR ELECTRONIC LIMITED

SCONDAR

SCONDAR ELECTRONIC LIMITED

PART NO. SCT1506H-xxDWT184

TITLE: ZE1.50mm with lock Housing

REV	DATE	MODIFICATION DESCRIPTION	CHANGE	APPROVE	OPERATION	DRAW	DATE	SCALE	UNIT	SIZE	SHEET	PROJ.	TITLE:
A1					X.X ±0.35	DESIGN			mm	A4	1/1		
A0	2019.08.16	NEW			X.XX ±0.25	CHECK	Lisa	2019.08.19					
					X.XXX ±0.15	APPROVE	Allen	2019.08.20					