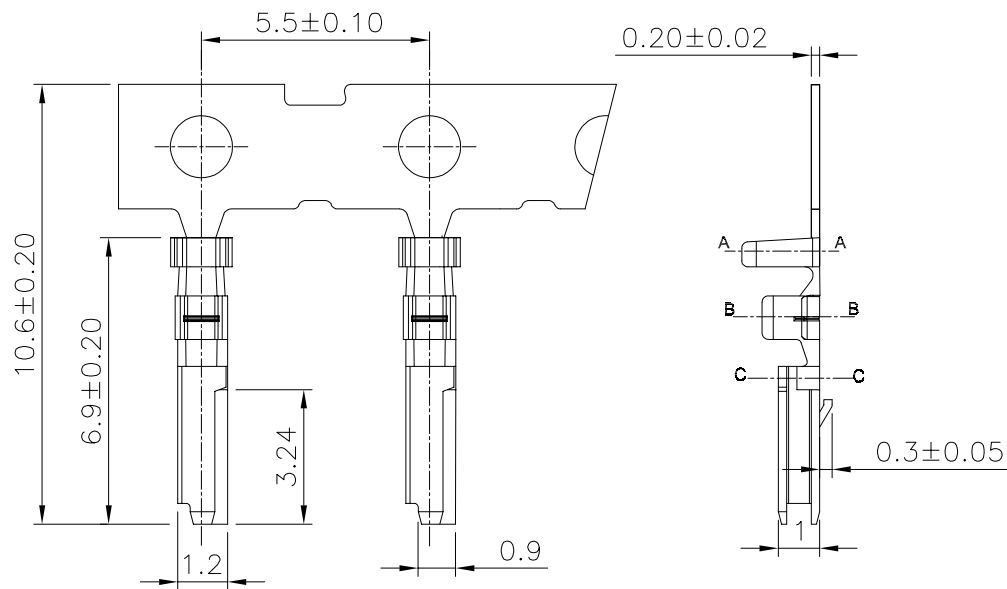


RoHS



Specification:

- Current Rating: 3A AC/DC
- Voltage Rating: 100V AC/DC
- Insulation Resistance: $100M\Omega$ Min
- Withstanding Voltage: 500VAC(1Min)
- Contact resistance: $20m\Omega$ (Max).
- Operation Temperature: $-40^{\circ}C$ to $+105^{\circ}C$

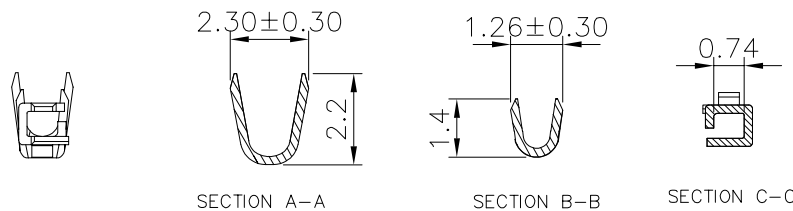
Material:

- Material: Phosphor Bronze
- Finish: Tin Plated
- Applicable Wires: 24AWG~28AWG
- Insulation OD: 0.78-1.28mm

Ordering Information

SCT1503T P S 113

Material:
P=Phosphor Bronze S=Tin Plated



SCONDAR ELECTRONIC LIMITED
ENGINEER LIU APPROVED

					OPERATION	DRAW	Zhong	2019.08.10	SCALE	—		
					X.X ±0.30	DESIGN			UNIT	mm		
					X.XX ±0.20				SIZE	A4		
A0			NEW		X.XXX ±0.10	CHECK	Lisa	2019.08.10	SHEET	1/1	Part No	SCT1503TPS113
REV	DATE	MODIFICATION DESCRIPTION			CHANGE	APPROVE			PROJ.	◆	TITLE:	MXL 50mm Pitch for SCT1503MH Crimp Terminal C5191 Plating 24-28AWG Reel MPQ=10KPCS