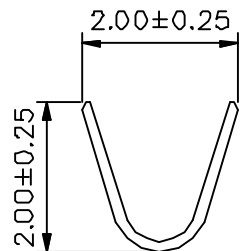
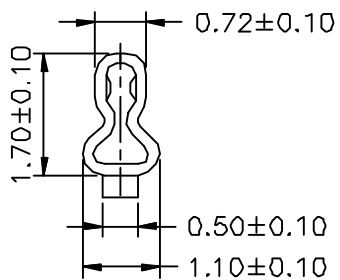
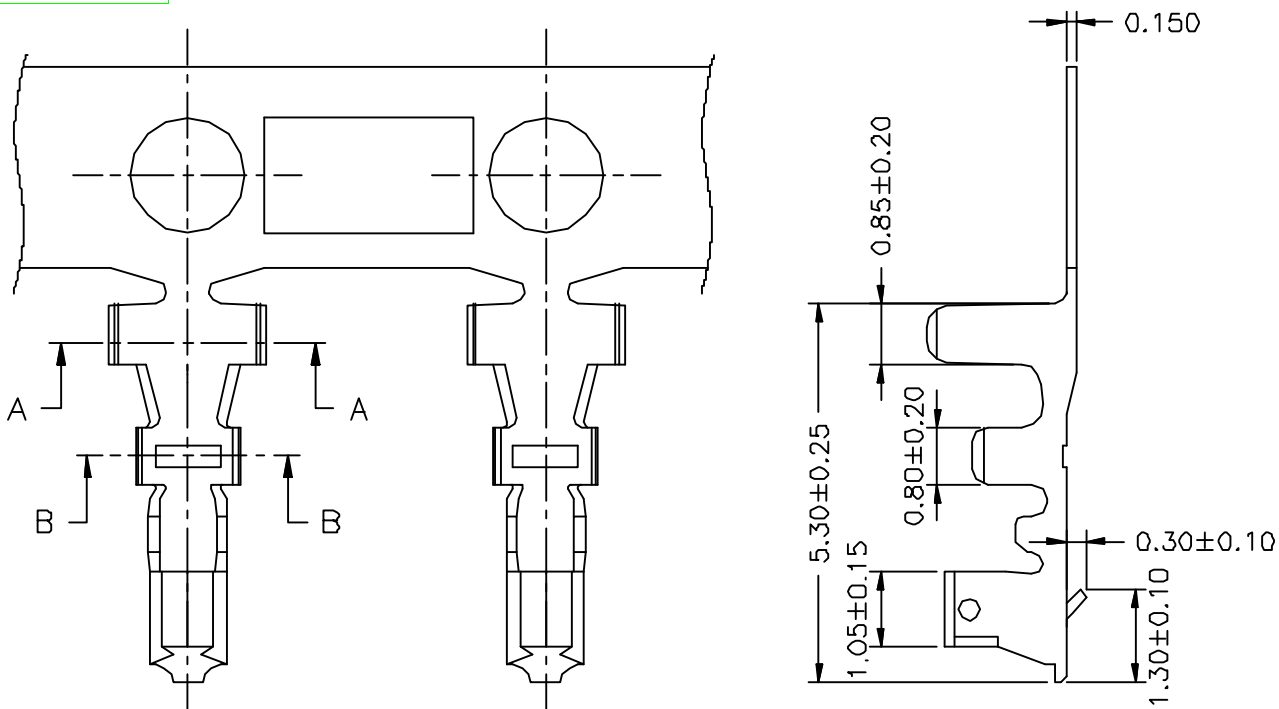
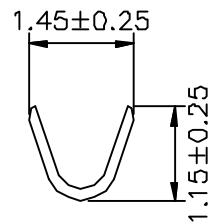


RoHS



SEC:A-A



SEC:B-B

Specification:

- Current Rating: 3A AC/DC
- Voltage Rating: 350V AC/DC
- Insulation Resistance: 100MΩ(Min)
- Contact resistance: 20mΩ(Max).
- Withstanding Voltage: 500VAC(Min)
- Operation Temperature: -25°C to +85°C

Material:

- Applicable Wires: 24AWG~28AWG
- Material: Phosphor Bronze, T=0.15mm
- Finish: Tin Plated
- Q'TY: 15,000PCS


Ordering Information

SCT1500 T P S 107

Material:
P=Phosphor Bronze S=Tin Plated

东莞市晟凯达电子科技有限公司
工程专用章

受控

| | | | | | | | | | | | | | |
|-----|------------|--------------------------|--------|---------|--|--------------|-------------|-------|------------|------------|------|---|----------------|
| | | | | | | OPERATION | DRAW | Peng | 2021.07.06 | SCALE | - |  SCONDAR ELECTRONIC LIMITED | |
| | | | | | | X.X ±0.35 | DESIGN | | | UNIT | mm | | |
| | | | | | | X.XX ±0.25 | | CHECK | Lisa | 2021.07.06 | SIZE | | A4 |
| AO | 2009.03.03 | NEW | | | | X.XXX ±0.15 | APPROVE | Allen | 2021.07.06 | SHEET | 1/1 | | PART NO. |
| REV | DATE | MODIFICATION DESCRIPTION | CHANGE | APPROVE | | Angle DIM | ± 3' TOL | | | PROJ. | ⌀ | TITLE: | 1.5mm Terminal |