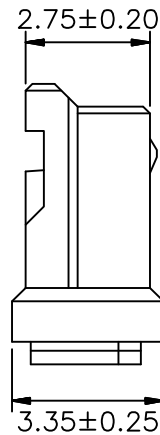
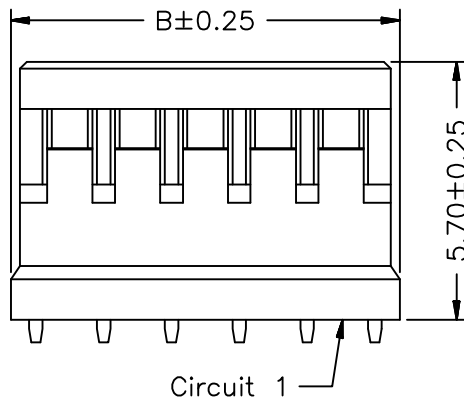
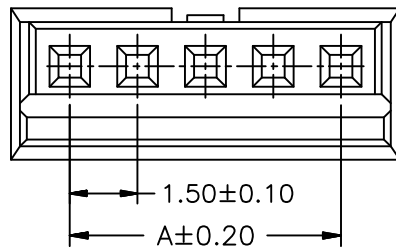
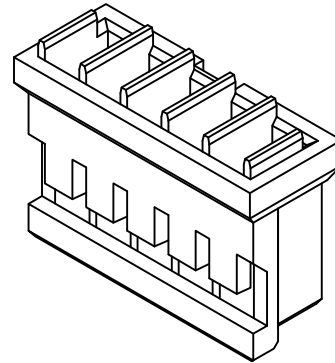
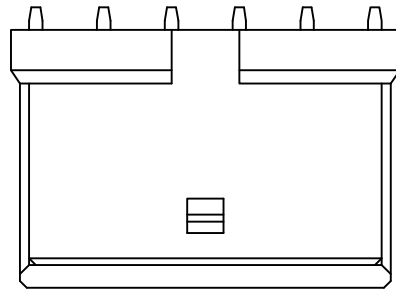


RoHS



Specification:

- Current Rating: 3A AC/DC
- Voltage Rating: 350V AC/DC
- Insulation Resistance: 100MΩ Min
- Withstanding Voltage: 500VAC(1Min)
- Contact resistance: 20mΩ(Max).
- Operation Temperature: -25°C to +85°C

Material:

- Insulator (Housing): Nylon 66 (UL94V-0)
- Color: White

Ordering Information


SCT1500H - xx B WT 107

No. of Pins
See Table

Insulation
B=PA66

Color
WT=White

| 11 | 15.00 | 17.60 | | | |
|-------|------------|-------|-------|------------|-------|
| 10 | 13.50 | 16.10 | | | |
| 9 | 12.00 | 14.60 | | | |
| 8 | 10.50 | 13.10 | | | |
| 7 | 9.00 | 11.60 | | | |
| 6 | 7.50 | 10.10 | | | |
| 5 | 6.00 | 8.60 | 15 | 21.00 | 23.60 |
| 4 | 4.50 | 7.10 | 14 | 19.50 | 22.10 |
| 3 | 3.00 | 5.60 | 13 | 18.00 | 20.60 |
| 2 | 1.50 | 4.10 | 12 | 16.50 | 19.10 |
| Poles | A | B | Poles | A | B |
| | Dimensions | | | Dimensions | |

| REV | DATE | MODIFICATION DESCRIPTION | CHANGE | APPROVE | OPERATION | DRAW | | | SCALE | |  SCONDAR ELECTRONIC LIMITED |
|-----|------------|--------------------------|--------|---------|-----------|-------|---------|-------|------------|--------|---|
| | | | | | X.X | ±0.35 | | | UNIT | mm | |
| | | | | | X.XX | ±0.25 | | | SIZE | A4 | |
| AO | 2006.05.02 | NEW | | | X.XXX | ±0.15 | | | SHEET | 1/1 | |
| | | | | | Angle | ± 3' | | | PROJ. | ⊕ | |
| | | | | | DIM | TOL | APPROVE | Allen | 2021.07.06 | TITLE: | MX 1.50mm Pitch Housing Connector |