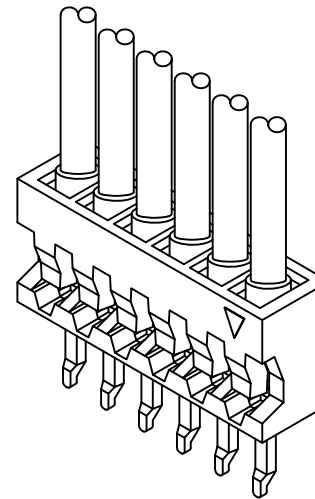
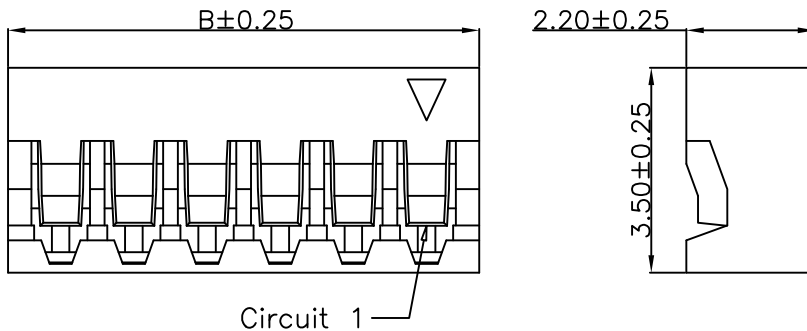
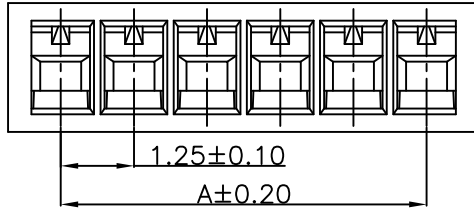
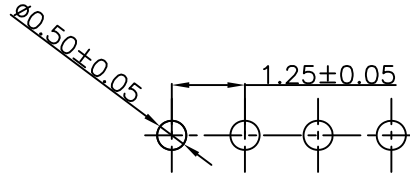


RoHS

Recommended P.C.B Layout
General Tolerance±0.05



Specification:

- Current Rating: 1A AC/DC
- Voltage Rating: 125V AC/DC
- Insulation Resistance: 100MΩ Min
- Withstanding Voltage: 500VAC(1Min)
- Contact resistance: 20mΩ(Max).
- Operation Temperature: -25°C to +85°C

Material:

- Insulator (Housing): Nylon 66 (UL94V-0)
- Color: White

Ordering Information

SCT1259HV- xx B WT 130

No.of Pins See Table
Insulation B=PA66
Color WT=White

10	11.25	13.05			
9	10.00	11.80			
8	8.75	10.55			
7	7.50	9.30			
6	6.25	8.05	15	17.50	19.30
5	5.00	6.80	14	16.25	18.05
4	3.75	5.55	13	15.00	16.80
3	2.50	4.30	12	13.75	15.55
2	1.25	3.05	11	12.50	14.30
Poles	A	B	Poles	A	B
	Dimensions			Dimensions	

REV	DATE	MODIFICATION DESCRIPTION	CHANGE	APPROVE	OPERATION	DRAW	Peng	2021.07.02	SCALE	-	 SCONDAR ELECTRONIC LIMITED		
A1	2021.07.02	Changed from SCT1259HV-xxP to SCT1259HV-xxBWT130			X.X	±0.35			UNIT	mm			
AO	2006.05.02	NEW			X.XX	±0.25			SIZE	A4			
					X.XXX	±0.15			SHEET	1/1			
					Angle	± 3'			PART NO.	SCT1259HV-xxBWT130			
					DIM	TOL	APPROVE	Allen	2021.07.02	PROJ.		TITLE:	Molex51022 1.25mm Pitch Housing Connector