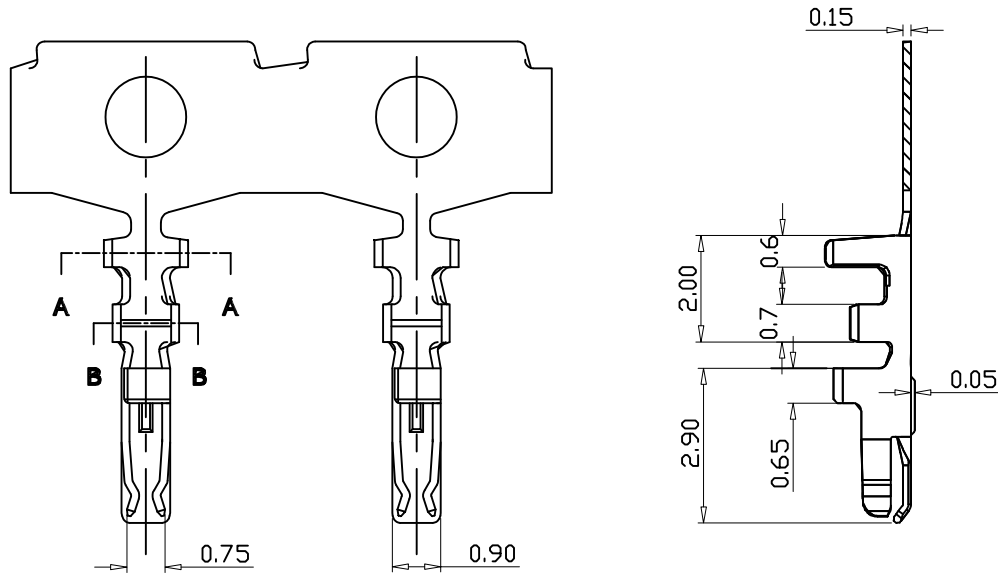


RoHS



Specification:

- Current Rating: 1.5A AC/DC
- Voltage Rating: 50V AC/DC
- Insulation Resistance: 100MΩ (Min)
- Withstanding Voltage: 500VAC(1Min)
- Contact resistance: 20MΩ MAX.
- Operation Temperature: -25°C to +105°C

Material:

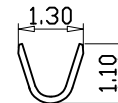
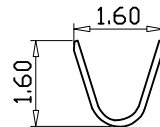
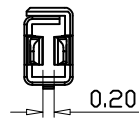
- Terminal: Phosphor/ Tin-Plated, Gold-Plated
- Applicable wire: Conductor size/AWG#30~#26
- Insulation O. D. /0.50~1.00mm

Ordering Information

SCT1256T P S 164

Material:
P=Phosphor Bronze


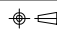
Contact Plated
S=Tin Plated
G=Gold



SECTION:A-A

SECTION::B-B

SCONDAR ELECTRONIC LIMITED
ENGINEER YAO APPROVED

					OPERATION	DRAW	YAO	2023.9.13	SCALE	-	 SCONDAR ELECTRONIC LIMITED
					X.X	±0.35			UNIT	mm	
					X.XX	±0.25			SIZE	A4	
					X.XXX	±0.15			SHEET	1/1	
AO	2016.03.03		NEW		Angle	± 3'	Lisa	2023.9.13	PART NO.	SCT1256TPS164	
REV	DATE		MODIFICATION DESCRIPTION	CHANGE	APPROVE	DIM	TOL	APPROVE	PROJ.	 TITLE: 1.25mm Terminal Phosphor Brass Tin Plating Reel	