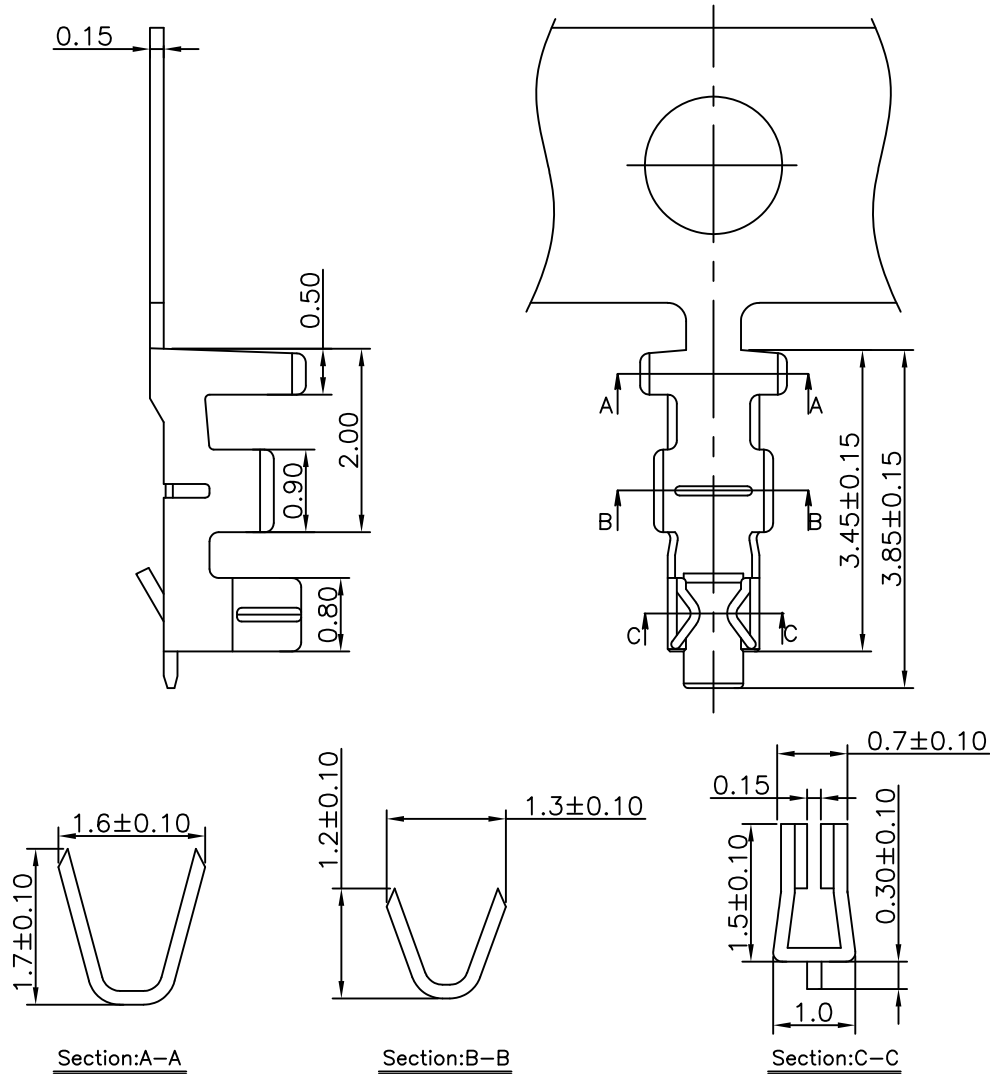


RoHS



Specification:

- Current Rating: 1A AC/DC
- Voltage Rating: 125V AC/DC
- Insulation Resistance: 500MΩ(Min)
- Contact resistance: 30mΩ(Max).
- Withstanding Voltage: 500VAC(Min)
- Operation Temperature: -25°C to +85°C

Material:

- Applicable Wires: 26AWG~30AWG
- Insulation O.D: 1.0mm Max
- Material: Phosphor Bronze ,T=0.15mm
- Finish: Tin Plated/Gold Plated

Ordering Information

SCT1252T P * 104

Material:
P=Phosphor Bronze
S=Tin Plated
G=Gold Plated

东莞市晟凯达电子科技有限公司
工程专用章

受控

					OPERATION	DRAW	Peng	2021.07.02	SCALE	-	 SCONDAR ELECTRONIC LIMITED	
					X.X ±0.35	DESIGN			UNIT	mm		
					X.XX ±0.25		CHECK	Lisa	2021.07.02	SIZE		A4
					X.XXX ±0.15	APPROVE	Allen	2021.07.02	SHEET	1/1		PART NO.
A1	2021.07.02	Changed from SCT1252-TP to SCT1252TPx104			Angle				PROJ.	⌀	TITLE:	DF13 1.25mm Pitch Terminal
AO	2021.03.03	NEW			DIM							
REV	DATE	MODIFICATION DESCRIPTION			CHANGE	APPROVE						