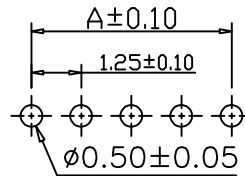
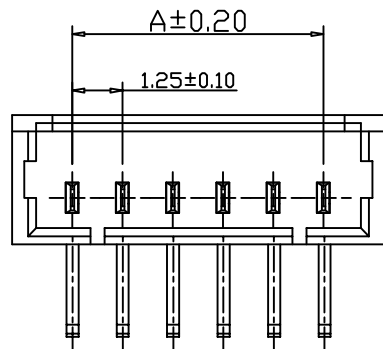
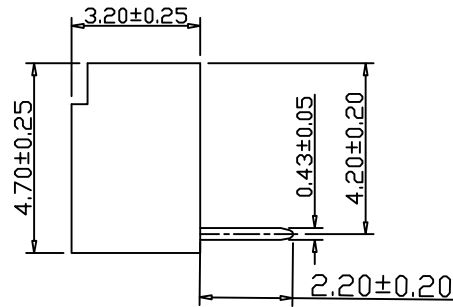
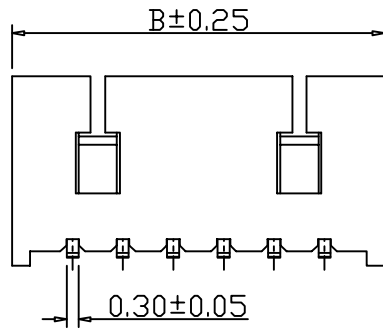


RoHS



Specification:

- Current Rating: 1A AC/DC
- Voltage Rating: 250V AC/DC
- Insulation Resistance: 100MΩ Min
- Withstanding Voltage: 500VAC(1Min)
- Contact resistance: 20mΩ(Max).
- Operation Temperature: -25°C to +85°C

Material:

- Insulator (Housing): Nylon 46 (UL94V-0)
- Contacts: Brass Tin Plated
- Color: Beige

Ordering Information

SCT1251WR- ** G 0 BE 182

No. of Pins
See Table

Insulation
G=PA46 V0

Package
0=PE Bag
1=Tape&Reel
2=Tube
3=Tray

Color
BE=Beige

Dimensions		PIN	Dimensions		PIN
A	B		A	B	
1.25	4.25	2	13.75	16.75	12
2.50	5.50	3	15.00	18.00	13
3.75	6.75	4	16.25	19.25	14
5.00	8.00	5	17.50	20.50	15
6.25	9.25	6	18.75	21.75	16
7.50	10.50	7	20.00	23.00	17
8.75	11.75	8	21.25	24.25	18
10.00	13.00	9	22.50	25.50	19
11.25	14.25	10	23.75	26.75	20
12.50	15.50	11			

SCONDAR ELECTRONIC, LTD
ENGINEER APPD 20240411

					OPERATION	DRAW	Yang	2023.12.13	SCALE	-	 SCONDAR ELECTRONIC LIMITED	
					X.X	±0.35			UNIT	mm		
					X.XX	±0.25			SIZE	A4		
A0	2016.03.03		NEW		X.XXX	±0.15	CHECK	Lisa	2023.12.13	SHEET		1/1
REV	DATE		MODIFICATION DESCRIPTION	CHANGE	APPROVE	Angle DIM	± 3' TOL	APPROVE		PROJ.		PART NO. SCT1251WR-xxG0BE182 TITLE: