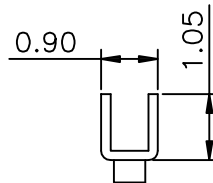
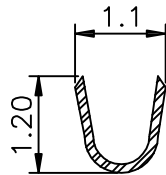
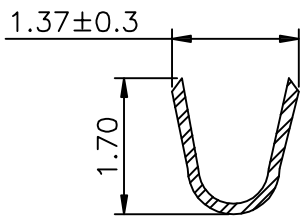
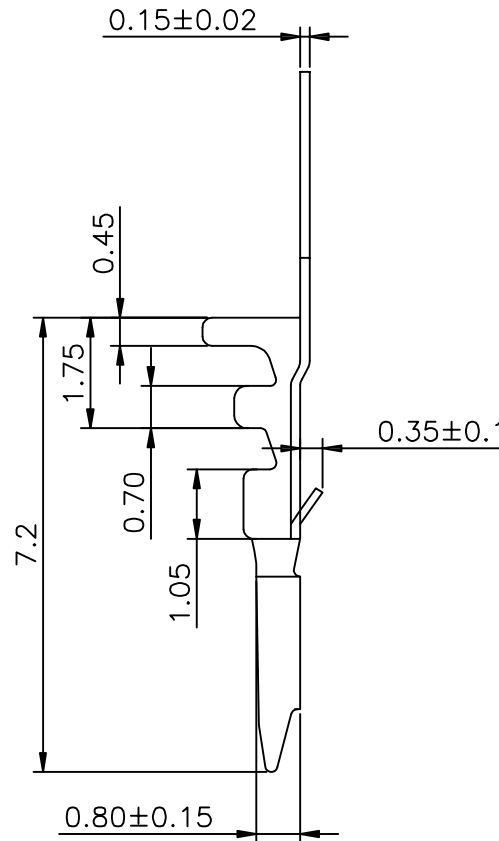
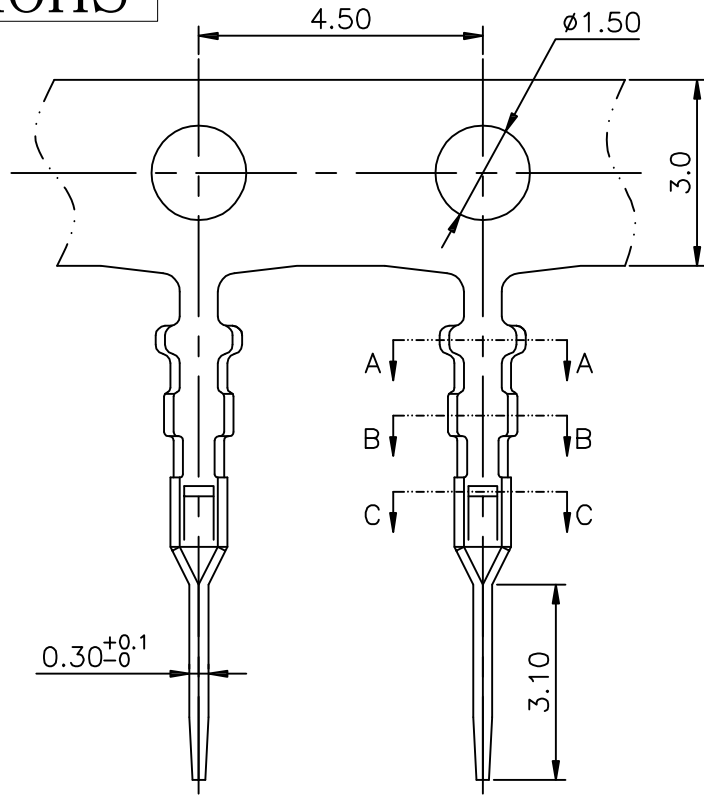


RoHS



SECTION A-A

SECTION B-B

SECTION C-C

**Specification:**

- Current Rating: 1A AC/DC
- Voltage Rating: 125V AC/DC
- Insulation Resistance: 100MΩ(Min)
- Contact resistance: 20mΩ(Max).
- Withstanding Voltage: 250VAC(Min)
- Operation Temperature: -25°C to +105°C

**Material:**

- Applicable Wires: 32AWG~28AWG
- Insulation O.D: 1.00mm Max
- Material: Phosphor Bronze
- Finish: Tin Plated over Nickel

**Ordering Information**

SCT1251MT P S 113

Material:  
P=Phosphor Bronze      S=Tin Plated



						OPERATION	DRAW	Peng	2021.03.03	SCALE	-	 SCONDAR ELECTRONIC LIMITED
						X.X	±0.35			UNIT	mm	
						X.XX	±0.25			SIZE	A4	
						X.XXX	±0.15			SHEET	1/1	
A0	2021.03.03	NEW				Angle	± 3'			PART NO.	SCT1251MTPS113	
REV	DATE	MODIFICATION DESCRIPTION		CHANGE	APPROVE	DIM	TOL	APPROVE		TITLE:	MX 1.25mm Pitch Male Terminal	