

RoHS

**Recommended P.C.B Layout**  
General Tolerance±0.05

**Specification:**

- Current Rating: 1.5A AC/DC
- Voltage Rating: 50V AC/DC
- Insulation Resistance: 100MΩ Min
- Withstanding Voltage: 500VAC(1Min)
- Contact resistance: 20mΩ(Max).
- Operation Temperature: -25°C to +85°C

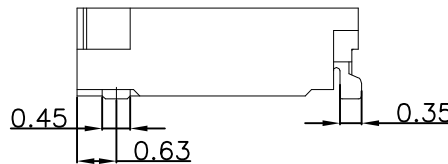
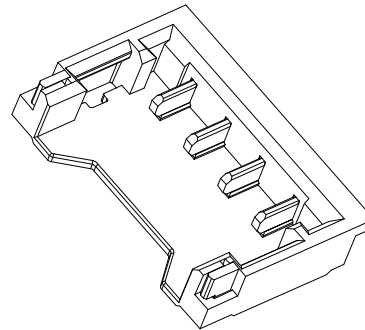
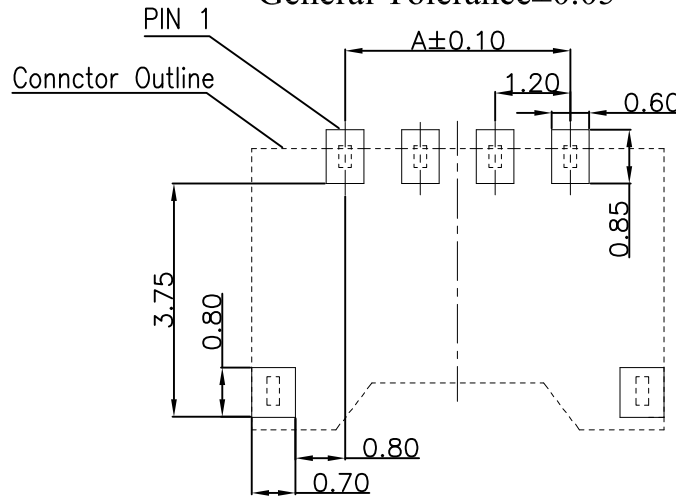
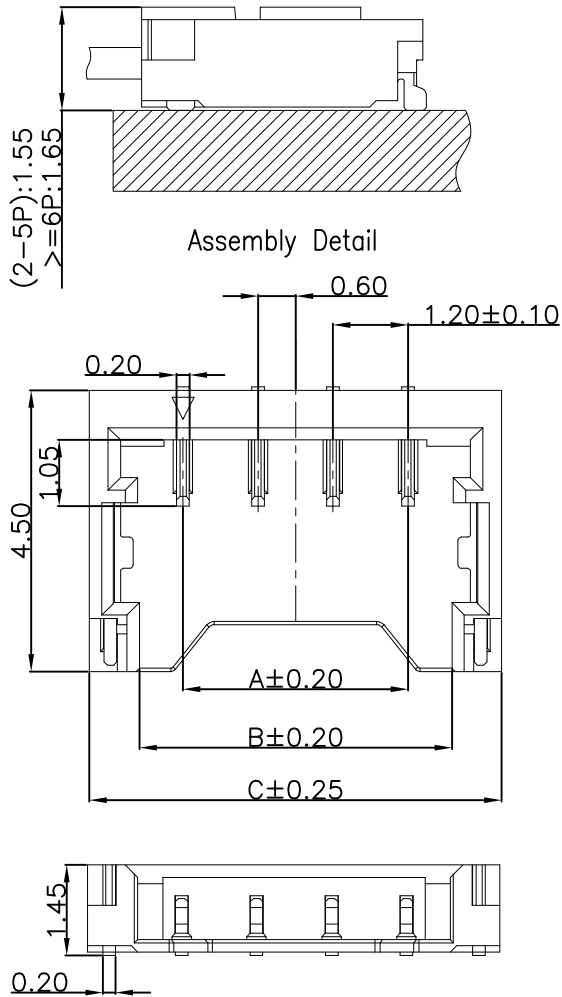
**Material:**

- Insulator (Housing): LCP (UL94V-0)
- Contacts:Brass,Tin Plated
- Color: Black

**Ordering Information**

SCT1202WRS - \*\* F 1 BK 107

No. of Pins See Table      Insulation F=LCP      Package 1=Tape&Reel      Color BK=Black



10	10.80	12.20	13.80				
9	9.60	11.00	12.60				
8	8.40	9.80	11.40				
7	7.20	8.60	10.20				
6	6.00	7.40	9.00	15	16.80	18.20	19.80
5	4.80	6.20	7.80	14	15.60	17.00	18.60
4	3.60	5.00	5.60	13	14.40	15.80	17.40
3	2.40	3.80	5.40	12	13.20	14.60	16.20
2	1.20	2.60	4.20	11	12.00	13.40	15.00
Poles	A	B	C	Poles	A	B	C
	Dimensions(mm)				Dimensions(mm)		

REV	DATE	MODIFICATION DESCRIPTION	CHANGE	APPROVE	OPERATION	DRAW				SCALE		
A1	2021.07.05	Changed from SCT1202WR-S-xxP to SCT1202WRS-xxF1BK107			X.X	±0.35	DESIGN	Peng	2021.07.05			
AO	2006.05.02	NEW			X.XX	±0.25	CHECK	Lisa	2021.07.05			
					X.XXX	±0.15	APPROVE	Allen	2021.07.05			
					Angle	± 3'						
					DIM	TOL						



SCONDAR ELECTRONIC LIMITED

PART NO. SCT1202WRS-xxF1BK107

TITLE: MX 1.20mm 90° SMT Wafer