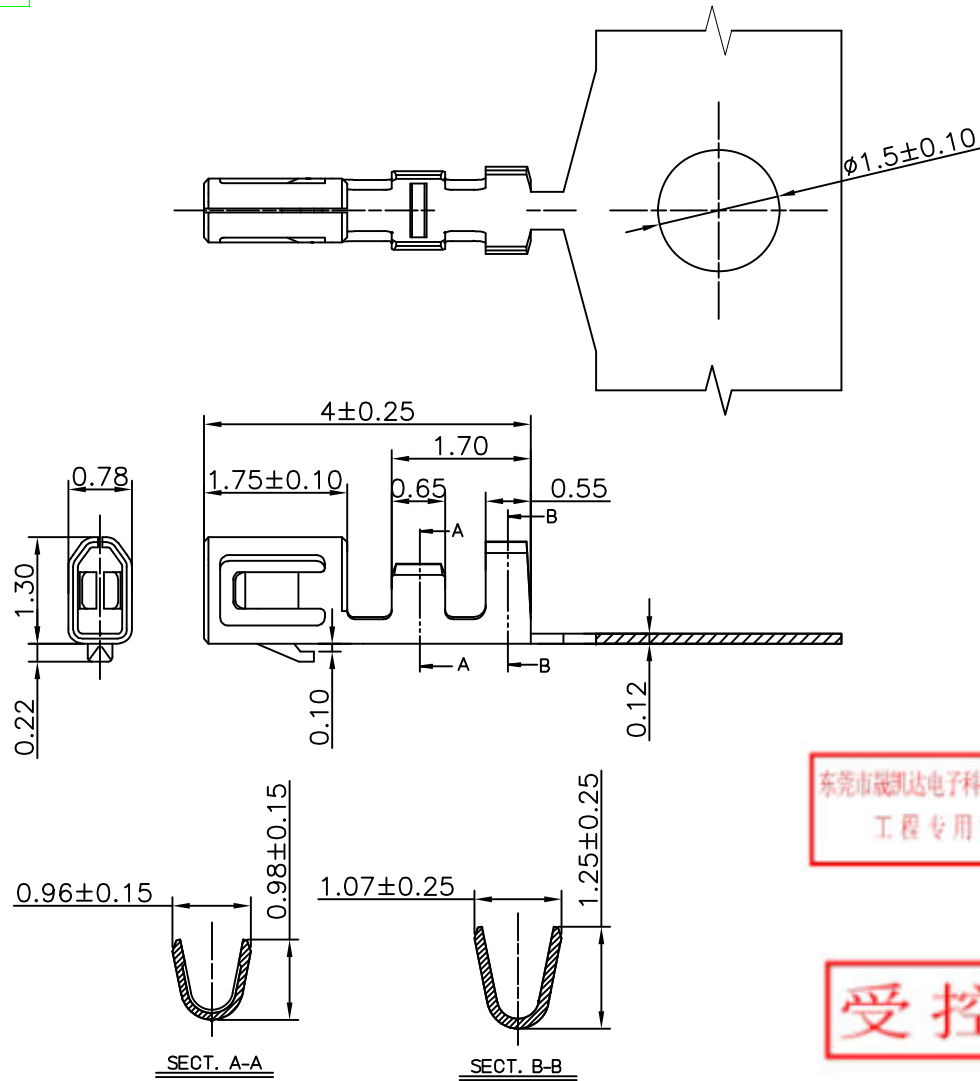


RoHS



Specification:

- Current Rating: 1A AC/DC
- Voltage Rating: 50V AC/DC
- Insulation Resistance: 100MΩ(Min)
- Contact resistance: 20mΩ(Max).
- Withstanding Voltage: 500VAC(Min)
- Operation Temperature: -25°C to +85°C

Material:

- Applicable Wires: 28AWG~32AWG
- Material: Phosphor Bronze, T=0.12mm
- Finish: Tin Plated/Gold Plated

Ordering Information

SCT1014 T P X 101

Material:
P=Phosphor Bronze
S=Tin Plated
G=Gold Plated

东莞市晟凯达电子科技有限公司
工程专用章

受控

					OPERATION	DRAW	Peng	2021.07.12	SCALE	-	 SCONDAR ELECTRONIC LIMITED	
					X.X ±0.35	DESIGN			UNIT	mm		
					X.XX ±0.25	CHECK	Lisa	2021.07.12	SIZE	A4		
A1	2021.07.12	Changed from SCT1012T to SCT1010TPx104			X.XXX ±0.15	APPROVE	Allen	2021.07.12	SHEET	1/1	PART NO.	SCT1014TPx101
AO	2009.03.03	NEW			Angle ± 3'				PROJ.	☯	TITLE:	MX501330 1.0mm Terminal
REV	DATE	MODIFICATION DESCRIPTION			DIM TOL							