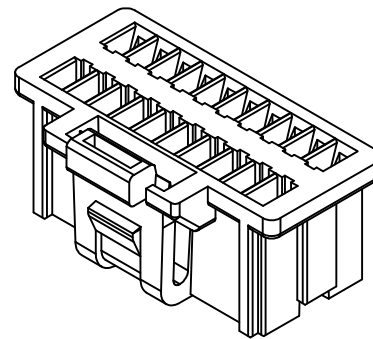
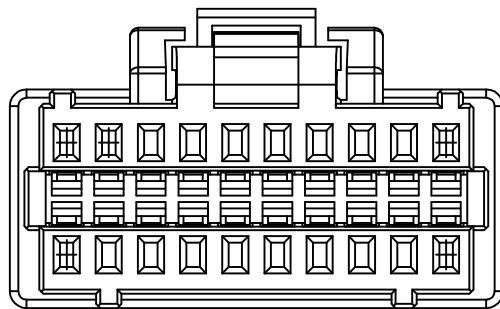
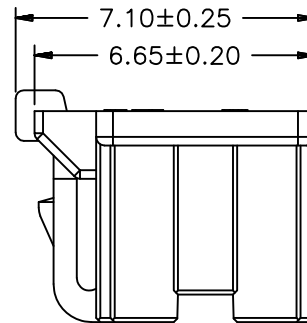
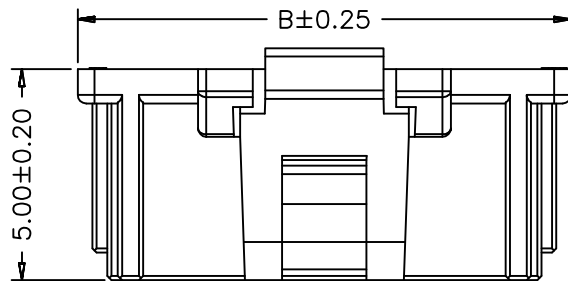
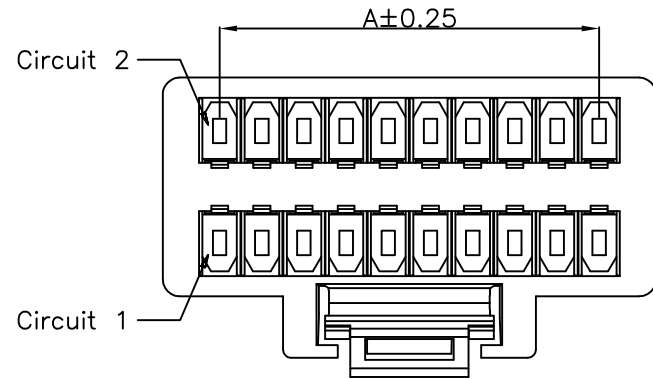


RoHS



Specification:

- Current Rating: 1A AC/DC
- Voltage Rating: 50V AC/DC
- Insulation Resistance: 100MΩ Min
- Withstanding Voltage: 500VAC(1Min)
- Contact resistance: 20mΩ(Max).
- Operation Temperature: -25°C to +85°C

Material:

- Insulator (Housing): Nylon 66 (UL94V-0)
- Color: White
- Q'TY: 1000PCS/Bag

Ordering Information


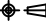
SCT1014H -2xx B WT 101

No.of Pins
See Table

Insulation
B=PA66

Color
WT=White

2x20	19.00	21.70
2x15	14.00	16.70
2x10	9.00	11.70
Poles	A	B
	Dimensions	

					OPERATION	DRAW	Peng	2021.07.12	SCALE	-	 SCONDAR ELECTRONIC LIMITED		
					X.X ±0.35	DESIGN			UNIT	mm			
A1	2021.07.12	Changed from SCT1014H-2xxP to SCT1014H-2xxBWT101			X.XX ±0.25		CHECK	Lisa	2021.07.12	SIZE		A4	
AO	2006.05.02	NEW			X.XXX ±0.15	APPROVE	Allen	2021.07.12	SHEET	1/1		PART NO.	SCT1014H-2xxBWT101
REV	DATE	MODIFICATION DESCRIPTION		CHANGE	APPROVE				PROJ.		TITLE:	MX501189 1.00mm Pitch Housing Connector	