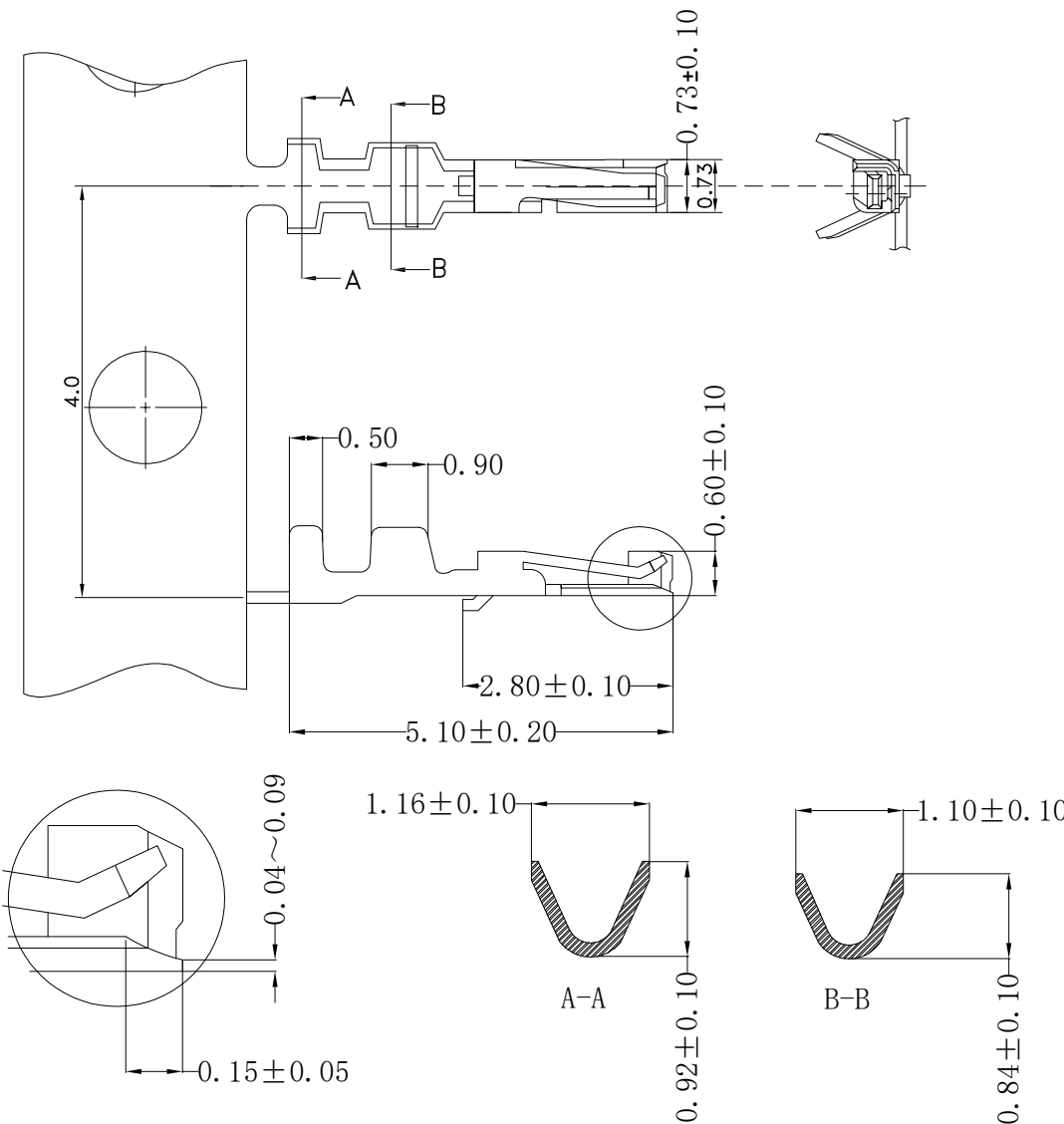


RoHS



Specification:

- Current Rating: 1A AC/DC
  - Voltage Rating: 50V AC/DC
  - Insulation Resistance: 100MΩ Min
  - Withstanding Voltage: 500VAC(1Min)
  - Contact resistance: 40mΩ(Max).
  - Operation Temperature: -40°C to +80°C
- Material:
- Applicable Wire: AWG#32-28
  - Material: Phosphor Bronze
  - Finish: Gold Plated

Ordering Information

SCT1009T **P** **G** 104

Material: P=Phosphor Bronze Contact Plated G=Gold Plated

					OPERATION	DRAW	YANG	2016.06.06	SCALE	—	 SCONDAR ELECTRONIC LIMITED	
					X.X ±0.30	DESIGN			UNIT	mm		
					X.XX ±0.20		CHECK	Lisa	2016.06.06	SIZE		A4
					X.XXX ±0.10	APPROVE			SHEET	1/1		Part No.
REV	DATE	MODIFICATION DESCRIPTION	CHANGE	APPROVE	Angle ±3°	APPROVE			PROJ.	⌀	TITLE:	1.00mm Pitch for SCT1009H Crimp Terminal Phosphor Bronze Gold Plating 28-32AWG Reel MPQ=20KPCs