

RoHS

Specification:

- Current Rating: 1.0A AC/DC
- Voltage Rating: 50V AC/DC
- Insulation Resistance: 100MΩ Min
- Withstanding Voltage: 500VAC(1Min)
- Contact resistance: 20mΩ(Max).
- Operation Temperature: -25°C to +85°C

Material:

- Insulator (Housing): PA66/PBT (UL94V-0)
- Color: White

Ordering Information

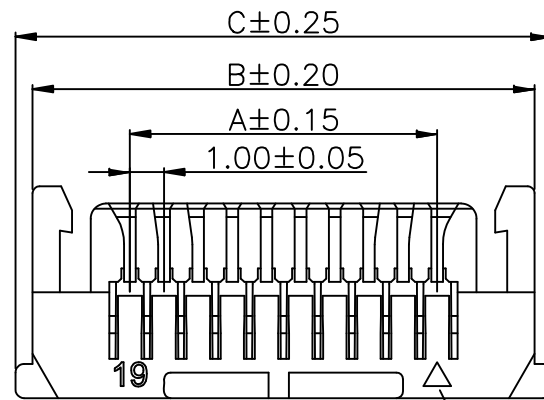
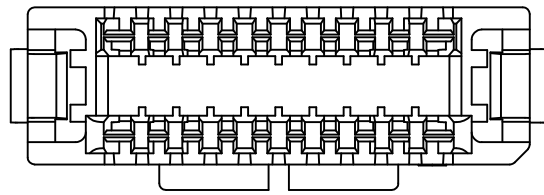
SCT1003H- 2** X WT 107

No. of Pins
See Table

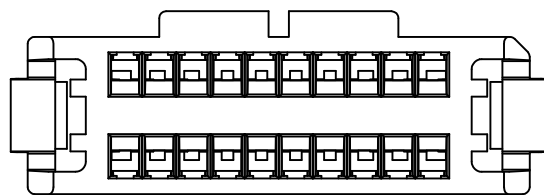
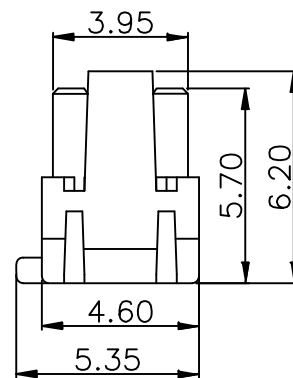
Insulation
B=PA66
D=PBT


Color
WT=White

2x25	24.00	29.70	30.70
2x20	19.00	24.70	25.70
2x15	14.00	19.70	20.70
2x10	9.00	14.70	15.70
Poles	A	B	C
	Dimensions		



Circuit 1



					OPERATION	DRAW	Peng	2021.07.12	SCALE	-	 SCONDAR ELECTRONIC LIMITED
					X.X	±0.35			UNIT	mm	
A1	2021.07.12	Changed from SCT1003H-2xXXPB to SCT1003H-2xxxWT107			X.XX	±0.25			SIZE	A4	
AO	2006.05.02	NEW			X.XXX	±0.15	Lisa	2021.07.12	SHEET	1/1	
REV	DATE	MODIFICATION DESCRIPTION		CHANGE	APPROVE	Angle	± 3'		PART NO.	SCT1003H-2xxxWT107	▲
					DIM	TOL	APPROVE	Allen	2021.07.12	PROJ.	⊕
									TITLE:	SHLD 1.0mm Housing	