

RoHS

Recommended P.C.B Layout
General Tolerance±0.05

Specification:

- Current Rating: 1A AC/DC
- Voltage Rating: 50V AC/DC
- Insulation Resistance: 100MΩ Min
- Withstanding Voltage: 500VAC(1Min)
- Contact resistance: 20mΩ(Max).
- Operation Temperature: -40°C to +85°C

Material:

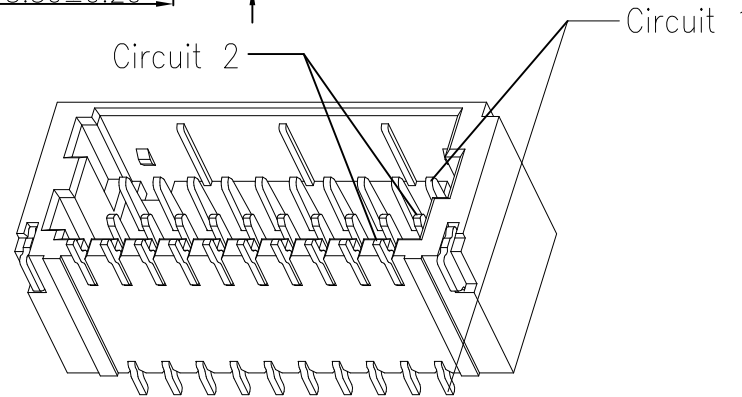
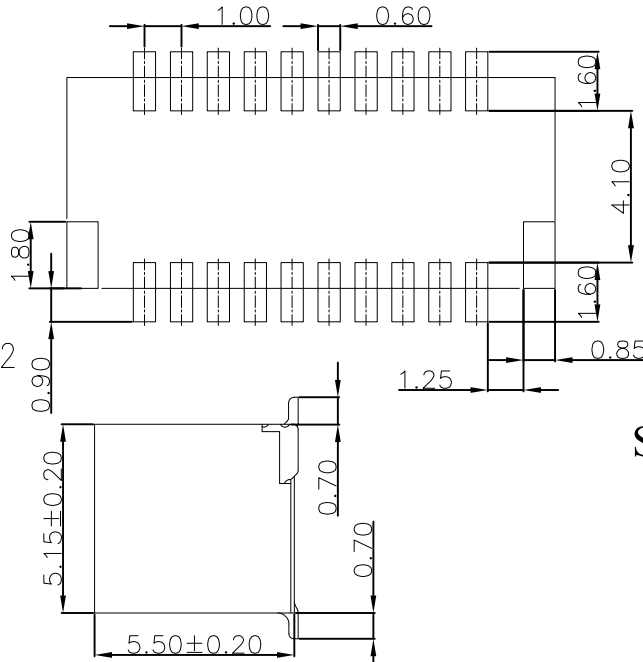
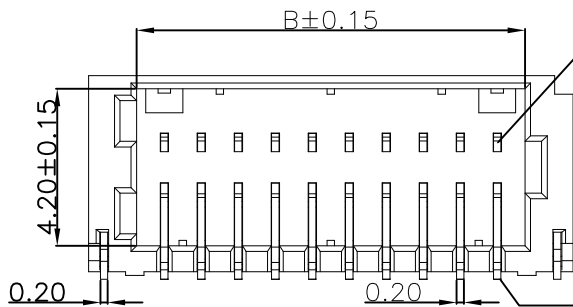
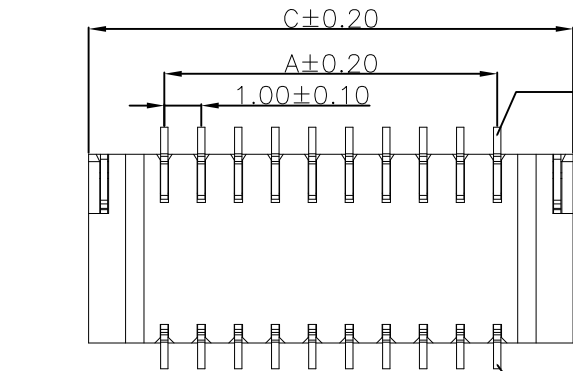
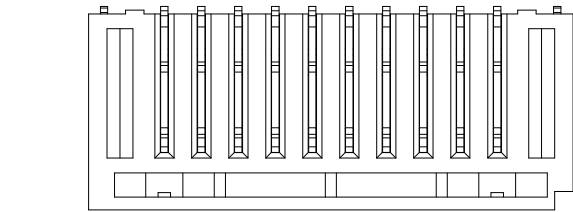
- Insulator (Housing): PA9T (UL94V-0)
- Contacts:Phos.Bronze,Gold Plated
- Color: Beige

Ordering Information

SCT1002WRS - 2x ** E 1 BE 101

No.of Pins See Table Insulation E=PA9T Package 1=Tape&Reel Color BE=Beige

2x25	24.00	25.50	28.10
2x20	19.00	20.50	23.10
2x15	14.00	15.50	18.10
2x10	9.00	10.50	13.10
2x08	7.00	8.50	11.10
2x06	5.00	6.50	9.10
Poles	A	B	C
	Dimensions		



					OPERATION	DRAW	Peng	2021.07.10	SCALE	-	 SCONDAR ELECTRONIC LIMITED	
					X.X ±0.35	DESIGN			UNIT	mm		
A1	2021.07.10	Changed from SCT1002WR-S-2XXP to SCT1002WRS-2xXXE1BE101			X.XX ±0.25	CHECK	Lisa	2021.07.10	SIZE	A4		
AO	2006.05.02	NEW			X.XXX ±0.15	APPROVE	Allen	2021.07.10	SHEET	1/1		
REV	DATE	MODIFICATION DESCRIPTION	CHANGE	APPROVE	Angle DIM	± 3' TOL			PROJ.	⊕	PART NO.	SCT1002WRS-2xXXE1BE101
											TITLE:	SHD 1.00mm Pitch 90° SMT Wafer Connector