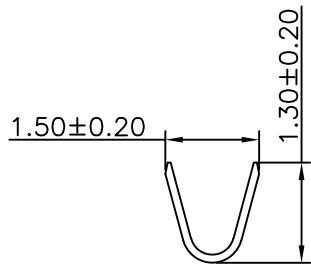
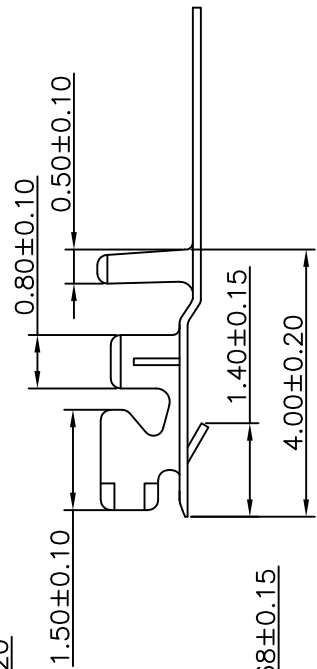
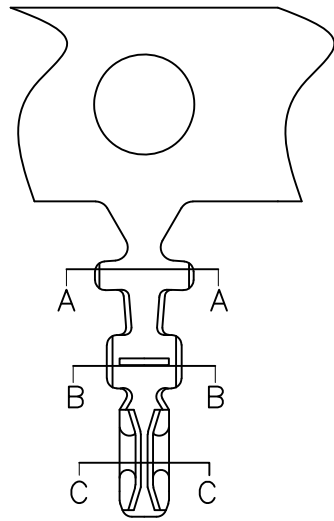
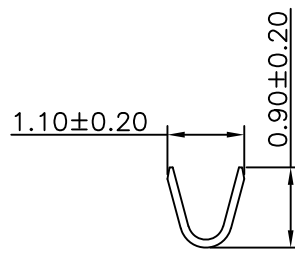


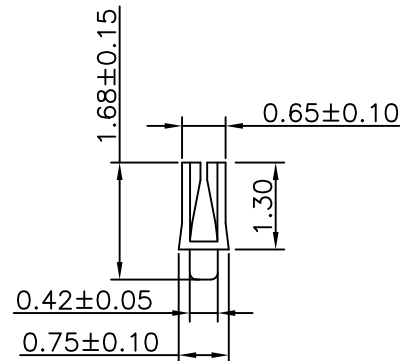
RoHS



A-A



B-B



C-C

Specification:

- Current Rating: 1A AC/DC
- Voltage Rating: 50V AC/DC
- Insulation Resistance: 100MΩ(Min)
- Contact resistance: 20mΩ(Max).
- Withstanding Voltage: 500VAC(Min)
- Operation Temperature: -25°C to +85°C


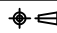
Material:

- Applicable Wires: 28AWG~32AWG
- Material: Phosphor Bronze ,T=0.12mm
- Finish: Tin Plated
- Q'TY: 20,000PCS/Reel

Ordering Information

SCT1001T P S 104

Material:
P=Phosphor Bronze S=Tin Plated

					OPERATION	DRAW	Peng	2021.07.02	SCALE	-	 SCONDAR ELECTRONIC LIMITED
					X.X ±0.35	DESIGN			UNIT	mm	
A1	2021.07.02	Changed from SCT1001-TP to SCT1001TPS104			X.XX ±0.25		CHECK	LisaL	2021.07.02	SIZE	
AO	2009.03.03	NEW			X.XXX ±0.15	APPROVE	Allen	2021.07.02	SHEET	1/1	
REV	DATE	MODIFICATION DESCRIPTION	CHANGE	APPROVE	Angle ± 3'	DIM	TOL	PROJ.		TITLE:	SH 1.0 Terminal