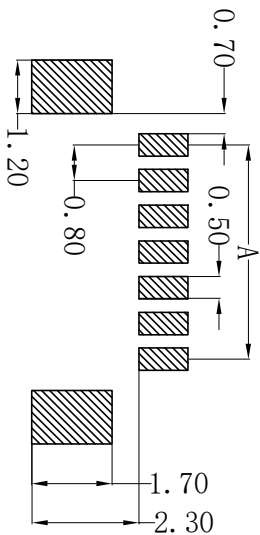
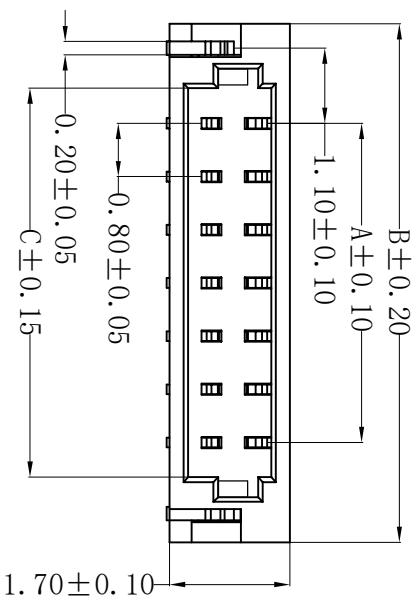


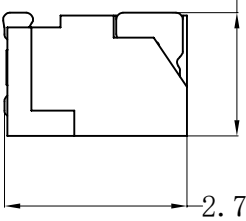
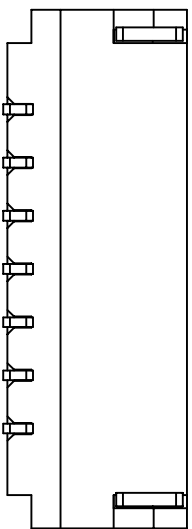
ROHS



Recommended P.C.B Layout
General Tolerance ± 0.05

深圳市森康达电子有限公司
工程专用章

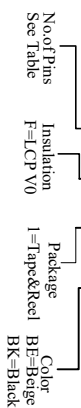
受控



- Specification:
- Current Rating: 0.5A AC/DC
 - Voltage Rating: 30V AC/DC
 - Insulation Resistance: 100M Ω Min
 - Withstanding Voltage: 200VAC(1Min)
 - Contact resistance: 30m Ω (Max).
 - Operation Temperature: -25 $^{\circ}$ C to +85 $^{\circ}$ C
- Material:
- Insulator (Housing): LCP (UL94V-0)
 - Color: Beige/Black
 - Material: Phosphor Bronze
 - Finish: Gold Plated

Ordering Information

SCT0800WRS -xx F 1 xx 501



Dimensions			Part NO	P IN
A	B	C		
0.80	3.80	1.90	SCT0800WRS-02F1xx501	2
1.60	4.60	2.70	SCT0800WRS-03F1xx501	3
2.40	5.40	3.50	SCT0800WRS-04F1xx501	4
3.20	6.20	4.30	SCT0800WRS-05F1xx501	5
4.00	7.00	5.10	SCT0800WRS-06F1xx501	6
4.80	7.80	5.90	SCT0800WRS-07F1xx501	7
5.60	8.60	6.70	SCT0800WRS-08F1xx501	8
6.40	9.40	7.50	SCT0800WRS-09F1xx501	9
7.20	10.20	8.30	SCT0800WRS-10F1xx501	10
8.00	11.00	9.10	SCT0800WRS-11F1xx501	11
8.80	11.80	9.90	SCT0800WRS-12F1xx501	12
9.60	12.60	10.70	SCT0800WRS-13F1xx501	13
10.40	13.40	11.50	SCT0800WRS-14F1xx501	14
11.20	14.20	12.30	SCT0800WRS-15F1xx501	15
12.00	15.00	13.10	SCT0800WRS-16F1xx501	16
12.80	15.80	13.90	SCT0800WRS-17F1xx501	17
13.60	16.60	14.70	SCT0800WRS-18F1xx501	18
14.40	17.40	15.50	SCT0800WRS-19F1xx501	19
15.20	18.20	16.30	SCT0800WRS-20F1xx501	20

REV	DATE	MODIFICATION DESCRIPTION	CHANGE	APPROVE	OPERATION		DRAW	YANG	2016.06.06	SCALE	SCHEMATIC		Part NO.	TITLE:
					DIM	TOL.					UNIT	SIZE		
A0	2016.06.06	NEW			X.X	± 0.30	DESIGN			mm	A4	1/1	SCT0800WRS-xxF1xx501	0.80mm Pitch SMT Surface Mount Right angle Single Row Header xxPin LCP VO Gold Plating Tape and Reel MQ3-S8Res
					X.XX	± 0.20	CHECK	ZHONG	2016.06.06					
					X.XXX	± 0.10								
					Angle	$\pm 3^{\circ}$								

SCONDAR
SCONDAR ELECTRONIC LIMITED